

Excellent Integrated System Limited

Stocking Distributor

Click to view price, real time Inventory, Delivery & Lifecycle Information:

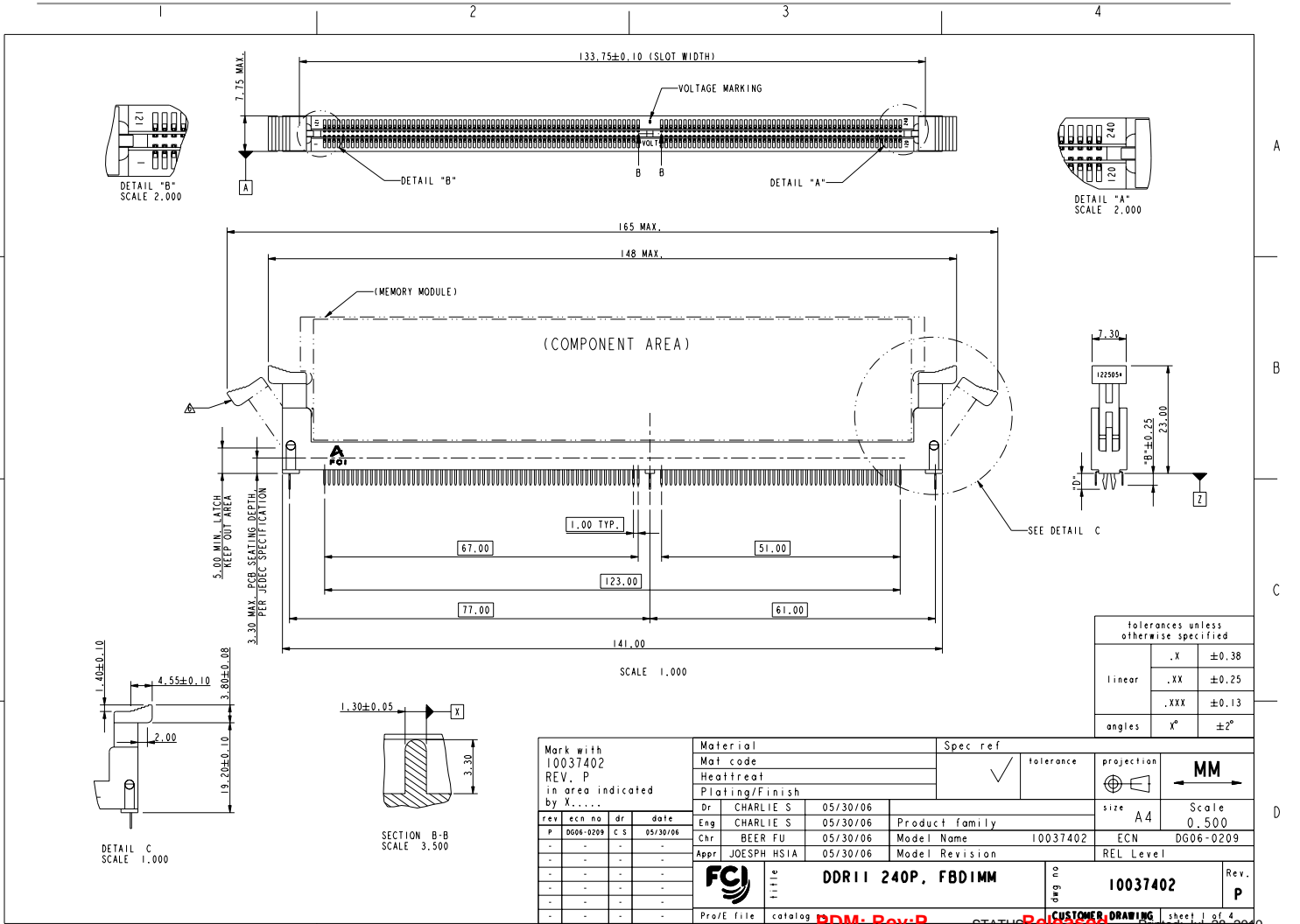
[FCI](#)
[10037402-11107LF](#)

For any questions, you can email us directly:
sales@integrated-circuit.com

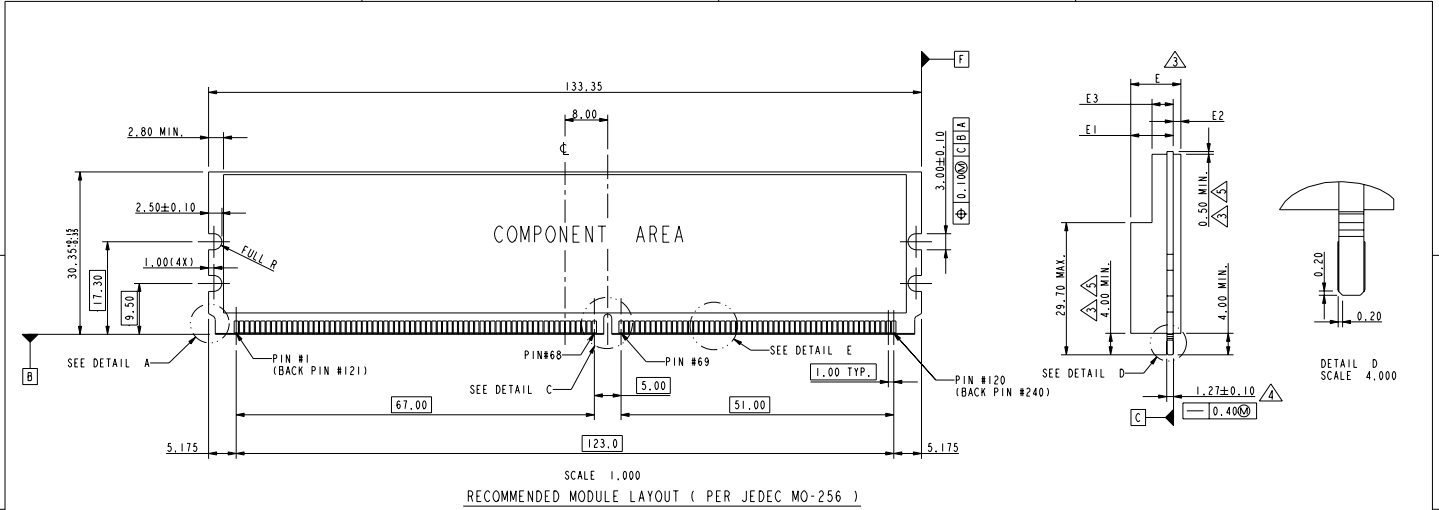
FCI CONFIDENTIAL



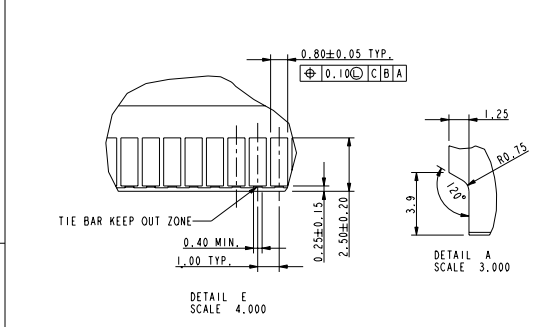
This document is the property of and embodies CONFIDENTIAL and PROPRIETARY information of FCI. No part of the information contained herein may be disclosed, copied, or used by others without the written consent of FCI. Copyright FCI.



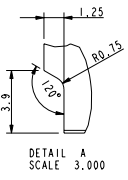
FCI CONFIDENTIAL



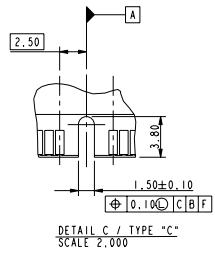
SCALE 1,000
RECOMMENDED MODULE LAYOUT (PER JEDEC MO-256)



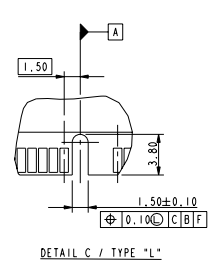
DETAIL E
SCALE 4,000



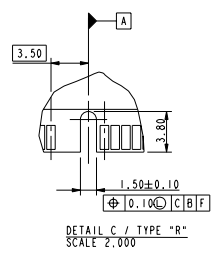
DETAIL A
SCALE 3,000



DETAIL C / TYPE "C"
SCALE 2,000



DETAIL C / TYPE "L"
SCALE 2,000



DETAIL C / TYPE "R"
SCALE 2,000

tolerances unless otherwise specified		
linear	.X	±0.38
	.XX	±0.15
	.XXX	±0.13
angles	X°	±2°

TYPE R	X.X VOLTAGE	6.80	1.40	2.80	8.20	6.80	3.00	4.40	9.80
TYPE L	2.5 VOLTAGE	6.80	1.40	2.80	8.20	6.80	3.00	4.40	9.80
TYPE C	1.8 VOLTAGE	6.80	1.40	2.80	8.20	6.80	3.00	4.40	9.80
SUB KEY POS. #1	DESCRIPTION	DIM. E1 MAX.	DIM. E2 MAX.	DIM. E3 MAX.	DIM. E MAX.	DIM. E1 MAX.	DIM. E2 MAX.	DIM. E3 MAX.	DIM. E MAX.
		TYPE 1				TYPE 2			

Mark with 10037402 REV. P in area indicated by X....			
rev	ecn no	dr	date
-	-	-	-
-	-	-	-
-	-	-	-
-	-	-	-
-	-	-	-
-	-	-	-

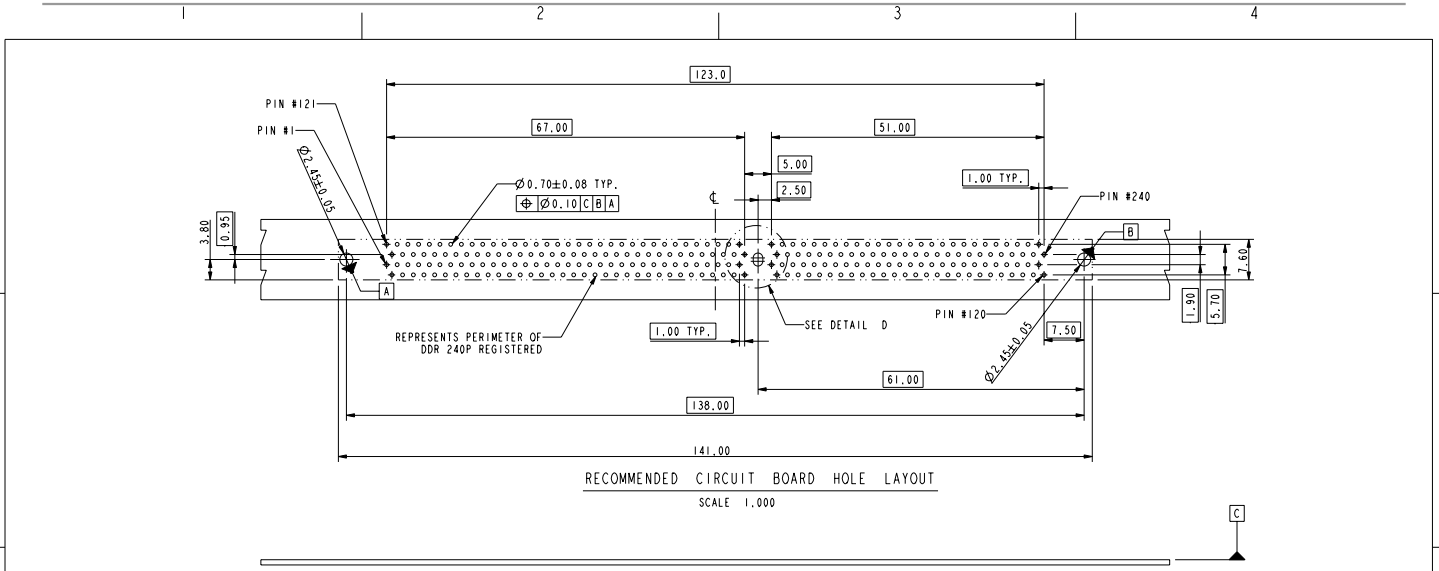
Material	Mat code	Spec ref	tolerance	projection	size	Scale
Heatreat	Plating/Finish	Dr CHARLIE S	05/30/06	Product family	A4	0.500
Eng CHARLIE S	05/30/06	Chr BEER FU	05/30/06	Model Name	10037402	ECN DG06-0209
Appr JOESPH HSIA	05/30/06	Model Revision	REL Level			
File	DDR11 240P, FBDIMM	eng no	10037402	Rev.	P	
Proj/E file	catalog	PDM: Rev:P		STATUS: Released	CUSTOMER DRAWING sheet 2 of 4 Printed: Jul 28, 2010	

This document is the property of and embodies CONFIDENTIAL and PROPRIETARY information of FCI. No part of the information contained herein may be disclosed, copied, or reproduced in any form without the written consent of FCI. Copyright FCI.

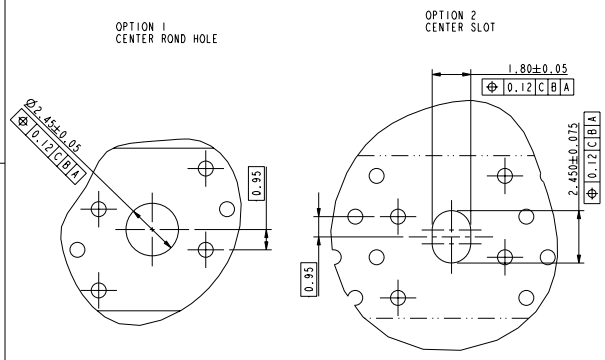
FCI CONFIDENTIAL



This document is the property of and embodies CONFIDENTIAL and PROPRIETARY information of FCI. No part of the information contained herein may be disclosed, copied, or used by others without the written consent of FCI. Copyright FCI.



DETAIL D
SCALE 4.000



tolerances unless otherwise specified		
linear	.X	±0.38
	.XX	±0.25
	.XXX	±0.13
angles	X°	±2°

Mark with 10037402 REV. P in area indicated by X.....	Material		Spec ref		tolerance	projection	size	Scale
	Mat code		Heatreat					
	Plating/Finish		Product family		ECN		DG06-0209	
	Dr CHARLIE S 05/30/06		Model Name 10037402		REL Level			
Eng CHARLIE S 05/30/06		Model Revision						
Chr BEER FU 05/30/06								
Appr JOESPH HSIA 05/30/06								
		DDR1 240P, FBDIMM		10037402		Rev. P		
Prof/E file catalog		PDM: Rev:P		STATUS Released		CUSTOMER DRAWING sheet 3 of 4 Printed: Jul 28, 2010		

FCI CONFIDENTIAL



This document is the property of and embodies CONFIDENTIAL and PROPRIETARY information of FCI. No part of the information contained herein may be reproduced, stored in a retrieval system, or transmitted in any form or by any means, without the written consent of FCI. Copyright © FCI.

10037402-□ □ □ □ □

STYLE : MECHANICAL KEYING

1 : 1.8 VOLT. W/TYPE "C"
 2 : 2.5 VOLT. W/TYPE "L"
 3 : X.X VOLT. W/TYPE "R"

METAL CLIP
 (WITH NI 1.27 um MIN. PLATING)

1 : WITH METAL CLIP + DIM."D"=3.05
 2 : WITH METAL CLIP + DIM."D"=3.56
 3 : WITH METAL CLIP + DIM."D"=3.43

TAIL LENGTH

CODE	DIM. "B"	PCB THICKNESS
0	2.54	1.47 mm (0.058")
1	2.67	1.60 mm (0.063")
2	3.18	2.36 mm (0.093")
3	4.00	3.18 mm (0.125")

PLATING

CODE	CONTACT	SOLDERTAIL	UNDERPLATE
2	15 u"(0.38um) MIN. GOLD		
3	30u"(0.76um) MIN. GOLD	100u"(2.54um) MIN. TIN/LEAD	50u"(1.27um) MIN. NICKEL OVERALL
4	3u"(0.076um) MIN. GOLD		
7LF	15u"(0.38um) MIN. GOLD		
8LF	30u"(0.76um) MIN. GOLD	100u"(2.54um) MIN. 100% TIN	50u"(1.27um) MIN. NICKEL OVERALL
9LF	3u"(0.076um) MIN. GOLD		
2N	15 u"(0.38um) MIN. GOLD		
3N	30 u"(0.76um) MIN. GOLD	100u"(2.54um) MIN. TIN/LEAD	90u"(2.29um) MIN. NICKEL OVERALL
4N	3 u"(0.076um) MIN. GOLD		
7NLF	15 u"(0.38um) MIN. GOLD		
8NLF	30 u"(0.76um) MIN. GOLD	100u"(2.54um) MIN. 100% TIN	90u"(2.29um) MIN. NICKEL OVERALL
9NLF	3 u"(0.076um) MIN. GOLD		

COLOR OF HOUSING AND EJECTOR

0 : BLACK HOUSING + IVORY EJECTOR
 1 : BLUE HOUSING + IVORY EJECTOR
 2 : BLACK HOUSING + BLACK EJECTOR
 3 : IVORY HOUSING + IVORY EJECTOR

NOTE:

- MATERIAL:**
 HOUSING: HIGH PERFORMANCE RESINS, GLASS FILLED UL94V-0 RATED.
 EJECTOR: HIGH PERFORMANCE RESINS, GLASS FILLED UL 94V-0 RATED.
 TERMINAL : COPPER ALLOY.
 METAL CLIP: COPPER ALLOY.
- PRODUCT SPECIFICATION:** GS-12-300.
 DIMENSIONS APPLICABLE WHEN COMPONENTS MOUNTED ON ONE OR BOTH SIDES.
 CARD THICKNESS APPLIES ACROSS TABS AND INCLUDES PLATING AND/OR MEALIZATION STRAIGHTNESS CALLOUT APPLIES TO ZONE DEFINED BY THE 4.00 CONTACT AREA DIMENSION FOR THE ENTIRE LENGTH OF 133.35.
- BOARD OF COMPONENT AREA.**
 LATCH DESIGN INCLUDES COMPLEMENTARY FEATURE TO ACCOMMODATE MODULE END NOTCHES AS DEFINED IN DETAIL A OF P.2 AND AS SPECIFIED IN MO-256.
- THIS PRODUCT MEETS EUROPEAN UNION DIRECTIVES AND OTHER COUNTRY REGULATIONS AS DESCRIBED IN GS-22-008.**
- THE HOUSING WILL WITHSTAND EXPOSURE TO 260°C PEAK TEMP. FOR 10 SECONDS IN A WAVE SOLDER APPLICATION.**
- 10037402-XXXXXXJLF SERIES ARE FOR LEAD-FREE OPTIONS.**
- DATE CODE:XXXXXX* SHOWS DAY/MONTH/YEAR. "*" MEANS PRODUCTION LINE CODE.**
 EX:122505 MEANS 12/25/2005.WILL BE PRINTED ON SOCKET.

TOLERANCES UNLESS OTHERWISE SPECIFIED	
LINEAR	0.X ±0.3 0.XX ±0.15 0.XXX ±0.100
ANGULAR	Ø ±2°

Mark with 10037402 REV. P in area indicated by X....	Material Mat code Heatreat Plating/Finish	Spec ref tolerance	projection MM	size A4 Scale 0.500																																																										
<table border="1" style="width: 100%; border-collapse: collapse;"> <thead> <tr> <th>rev</th> <th>ecn no</th> <th>dr</th> <th>date</th> </tr> </thead> <tbody> <tr> <td>P</td> <td>-</td> <td>-</td> <td>-</td> </tr> <tr> <td>-</td> <td>-</td> <td>-</td> <td>-</td> </tr> <tr> <td>-</td> <td>-</td> <td>-</td> <td>-</td> </tr> <tr> <td>-</td> <td>-</td> <td>-</td> <td>-</td> </tr> <tr> <td>-</td> <td>-</td> <td>-</td> <td>-</td> </tr> <tr> <td>-</td> <td>-</td> <td>-</td> <td>-</td> </tr> </tbody> </table>	rev	ecn no	dr	date	P	-	-	-	-	-	-	-	-	-	-	-	-	-	-	-	-	-	-	-	-	-	-	-	<table border="1" style="width: 100%; border-collapse: collapse;"> <tr> <td>Dr</td> <td>CHARLIE S</td> <td>05/30/06</td> </tr> <tr> <td>Eng</td> <td>CHARLIE S</td> <td>05/30/06</td> </tr> <tr> <td>Chr</td> <td>BEER FU</td> <td>05/30/06</td> </tr> <tr> <td>Appr</td> <td>JOESPH HSIA</td> <td>05/30/06</td> </tr> </table>	Dr	CHARLIE S	05/30/06	Eng	CHARLIE S	05/30/06	Chr	BEER FU	05/30/06	Appr	JOESPH HSIA	05/30/06	<table border="1" style="width: 100%; border-collapse: collapse;"> <tr> <td>Product family</td> <td></td> </tr> <tr> <td>Model Name</td> <td>10037402</td> </tr> <tr> <td>Model Revision</td> <td></td> </tr> </table>	Product family		Model Name	10037402	Model Revision		<table border="1" style="width: 100%; border-collapse: collapse;"> <tr> <td>ECN</td> <td>DG06-0209</td> </tr> <tr> <td>REL Level</td> <td></td> </tr> </table>	ECN	DG06-0209	REL Level		<table border="1" style="width: 100%; border-collapse: collapse;"> <tr> <td></td> <td>Title DDR11 240P, FBDIMM</td> <td>Eng no 10037402</td> <td>Rev. P</td> </tr> <tr> <td>Proj/E file catalog</td> <td>PDM: Rev:P</td> <td>STATUS Released</td> <td>CUSTOMER DRAWING sheet 4 of 4</td> </tr> </table>		Title DDR11 240P, FBDIMM	Eng no 10037402	Rev. P	Proj/E file catalog	PDM: Rev:P	STATUS Released	CUSTOMER DRAWING sheet 4 of 4
rev	ecn no	dr	date																																																											
P	-	-	-																																																											
-	-	-	-																																																											
-	-	-	-																																																											
-	-	-	-																																																											
-	-	-	-																																																											
-	-	-	-																																																											
Dr	CHARLIE S	05/30/06																																																												
Eng	CHARLIE S	05/30/06																																																												
Chr	BEER FU	05/30/06																																																												
Appr	JOESPH HSIA	05/30/06																																																												
Product family																																																														
Model Name	10037402																																																													
Model Revision																																																														
ECN	DG06-0209																																																													
REL Level																																																														
	Title DDR11 240P, FBDIMM	Eng no 10037402	Rev. P																																																											
Proj/E file catalog	PDM: Rev:P	STATUS Released	CUSTOMER DRAWING sheet 4 of 4																																																											

REF: 2004-07-20