

Excellent Integrated System Limited

Stocking Distributor

Click to view price, real time Inventory, Delivery & Lifecycle Information:

[FCI](#)
[92789-040HLF](#)

For any questions, you can email us directly:
sales@integrated-circuit.com

A

B

C

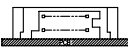
D

A

B

C

D

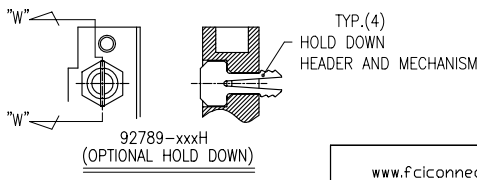
PRODUCT NO. 92789-XXXX	STAND OFF DIM "M"(mm)	HDR SOLDER TAIL	HOLD DOWN	Q'TY	GUIDE ASSY 92791-XXXX	HDR ASSY 92140-XXXX	DIM "P" (mm)	HDR COLOR	SHEET NO.	MOUNT STYLE TO PCB
000	0	R/A	NONE		001	000	2.8	BLACK	NO.2	TOP MOUNT 92789-0XXX 
000H	0	R/A	93925-001	4	001H	000H	2.8	BLACK		
001	0	SMT STAGGERED	NONE		001	001	—#	BLACK		
001H	0	SMT STAGGERED	93925-001	4	001H	001H	—#	BLACK		
002	0	SMT IN LINE	NONE		001	002	—#	BLACK		
002H	0	SMT IN LINE	93925-001	4	001H	002H	—#	BLACK		
020	(NO LOCATOR)	R/A	NONE		021	040	2.5	BLACK	NO.3	
040	4	R/A	NONE		041	010	2.8	BLACK		
040H	4	R/A	93925-003	4	041H	010H	2.8	BLACK		
050	5	R/A	NONE		051	020	2.8	BLACK		
050H	5	R/A	93925-004	4	051H	020H	2.8	BLACK		
500	0	R/A	NONE		001	500	2.8	NATURAL		
500H	0	R/A	93925-001	4	001H	500H	2.8	NATURAL		
501	0	SMT STAGGERED	NONE		001	501	—#	NATURAL		
501H	0	SMT STAGGERED	93925-001	4	001H	501H	—#	NATURAL		
502	0	SMT IN LINE	NONE		001	502	—#	NATURAL		
502H	0	SMT IN LINE	93925-001	4	001H	502H	—#	NATURAL		
520	(NO LOCATOR)	R/A	NONE		021	540	2.5	NATURAL	NO.5	
540	4	R/A	NONE		041	510	2.8	NATURAL		
550	5	R/A	NONE		051	520	2.8	NATURAL		
550H	5	R/A	93925-004	4	051	520H	2.8	NATURAL		

- NOTE
- OPTIONAL HOLD DOWN (-XXXH) CAN BE SELECTED FOR ONLY 0mm STAND OFF (-XXX) VARIATION.
 - SMT STAGGERED & IN LINE (-XXIX & -XXIX) ARE ASSIGNED TO ONLY 0mm STAND OFF (-XXIX) VARIATION.
3. ASSY PROCESS
- TO MOUNT PART ① ON PWB WITH SCREW (S1,S2) AND SOLDER.
 - TO JOINT PART ②, INTO PART ①, THEN FIX PART ③ WITH 2 SCREWS (S3,S4).
- ④ MATERIAL
- PART ① (HEADER ASSY)
 - HOUSING : HIGH TEMPERATURE THERMOPLASTIC UL94V-0
 - PIN : COPPER ALLOY
 - HOLD DOWN : COPPER ALLOY
 - PART ② (GUIDE ASSY)
 - GUIDE : HIGH TEMPERATURE THERMOPLASTIC UL94V-0
 - PLATE : STAINLESS
 - EMI CONTACT : COPPER ALLOY
 - HOLD DOWN : COPPER ALLOY
- ⑤ FINISH
- HDR PIN : *0.5μm MIN. Ni OVER ALL UNDER PLATING
 *0.076μm MIN. Au MIN. AT CONTACT AREA
- *2.5μm MIN. Sn-Pb SOLDER TAIL
 OR 2.5μm MIN. Sn (FOR -XXXXLF) SOLDER TAIL
- EMI CONTACT : PRE-PLATING
 *0.5μm MIN. Ni OVER ALL UNDER PLATING
 *0.5μm MIN. Au CONTACT AREA.
- HOLD DOWN : 2.5μm MIN. Sn OVER ALL.
6. DIM'L
- | | | |
|----------|---------|---------|
| 4.25±0.1 | 3.5±0.1 | 5.0±0.1 |
| OTHERS | 36.67 | 127.28 |
7. GENERAL TOLERANCE : ±0.3
8. SEE SHEET 1,2. REGARDING COMPONENTS.
9. THIS PRODUCT MEETS EUROPEAN UNION DIRECTIVES AND OTHER COUNTRY REGULATIONS AS DESCRIBED IN GS-22-008.
10. PRODUCT SPEC: 110-263



Copyright FCI

- 92789-XXXXXX
- NOTE ① OPTIONAL LEAD FREE
 - NOTE ② OPTIONAL HOLD DOWN
 - NOTE ③ HDR SOLDER TAIL
 - STAND OFF HEIGHT (DIM'M)
 - MOUNT STYLE TO PCB
- NONE : N 0
 LF : YES
- NONE : N 0
 H : YES(SEE FIGURE OF -XXXH)
- 0 : R/A
 1 : SMT STAGGERED
 2 : SMT IN LINE
- 0 : 0mm(NONE)
 2 : 2mm
 4 : 4mm
 5 : 5mm
- 0 : TOP MOUNT
 5 : BOTTOM MOUNT



rev	ecr no	dr	date
J	J05-0215	MH	4/11/05
K	N05-0128	WB J	05/19/05
L	N07-0114	CM	05/14/07
M	N09-0381	SH	11/30/09
N	ELX-N-01350	ZK	04/06/12

www.fciconnect.com		surface	tolerance std	projection	MM
Dr	M.Hasegawa/n/s	ANGULAR	TOLERANCES UNLESS OTHERWISE SPECIFIED	size	Scale
Eng	M.Hasegawa/n/s	LINEAR	0.X ± 0.3	ECN	
Chr			0.XX ± 0.15	Spec ref	
Appr			0.XXX ± 0.08		
Product family		Header PCMCIA SANS			
title			68P LONG HEADER TYPE I / II / III (WITH EMI CLIP)	92789	Rev. N
catalog no			CUSTOMER DRAWING	sheet 1 of 7	

REV C - 2004-03-20

1

2

3

PDS: Rev :N

STATUS:Released

Printed: Sep 12, 2013

A

B

C

D

A

B

C

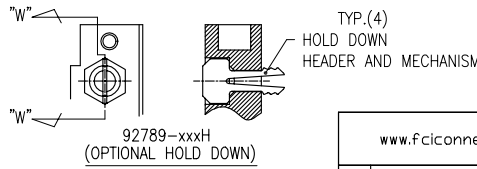
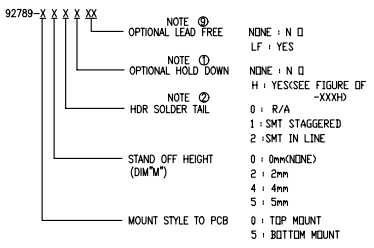
D

PRODUCT NO. 92789-XXXX	STAND OFF DIM "M"(mm)	HDR SOLDER TAIL	HOLD DOWN		GUIDE ASSY 92791-XXXX	HDR ASSY 92140-XXXX	DIM "P" (mm)	HDR COLOR	SHEET NO.	MOUNT STYLE TO PCB
			Q'TY							
000LF	0	R/A	NONE		001LF	000	2.8	BLACK	NO.2	TOP MOUNT 92789-0XXX 
000HLF	0	R/A	YES	4	001HLF	000H	2.8	BLACK		
001	0	SMT STAGGERED	NONE		001	001	--	BLACK		
001H	0	SMT STAGGERED	YES	4	001H	001H	--	BLACK		
002LF	0	SMT IN LINE	NONE		001	002	--	BLACK		
002H	0	SMT IN LINE	YES	4	001H	002H	--	BLACK	NO.3	
020LF	2 (NO LOCATOR)	R/A	NONE		021LF	040	2.5	BLACK		
040LF	4	R/A	NONE		041LF	010	2.8	BLACK		
040HLF	4	R/A	YES	4	041HLF	010H	2.8	BLACK		
050LF	5	R/A	NONE		051LF	020	2.8	BLACK		
050HLF	5	R/A	YES	4	051HLF	020H	2.8	BLACK	NO.4	BOTTOM MOUNT 92789-5XXX 
055LF	5	R/A	YES	2	051MH	021MLF	2.8	BLACK		
500LF	0	R/A	NONE		001LF	500	2.8	NATURAL		
500HLF	0	R/A	YES	4	001HLF	500H	2.8	NATURAL		
501	0	SMT STAGGERED	NONE		001	501	--	NATURAL		
501H	0	SMT STAGGERED	YES	4	001H	501H	--	NATURAL	NO.5	
502	0	SMT IN LINE	NONE		001	502	--	NATURAL		
502H	0	SMT IN LINE	YES	4	001H	502H	--	NATURAL		
520LF	2 (NO LOCATOR)	R/A	NONE		021LF	540LF	2.5	NATURAL		
540LF	4	R/A	NONE		041LF	510LF	2.8	NATURAL		
550LF	5	R/A	NONE		051LF	520LF	2.8	NATURAL	NO.5	
550HLF	5	R/A	YES	4	051LF	520HLF	2.8	NATURAL		
540HLF	4	R/A	YES	4	041HLF	510HLF	2.8	NATURAL		

- NOTE
- OPTIONAL HOLD DOWN (-XXXH) CAN BE SELECTED FOR ONLY 0mm STAND OFF (-XXM) VARIATION.
 - SMT STAGGERED & IN LINE (-XXIX & -XXIX) ARE ASSIGNED TO ONLY 0mm STAND OFF (-XXM) VARIATION.
3. ASSY PROCESS
- TO MOUNT PART (A) ON PWB WITH SCREW (S1,S2) AND SOLDER.
 - TO JOINT PART (B), INTO PART (C), THEN FIX PART (C) WITH 2 SCREWS (S3,S4).
4. MATERIAL
- PART (A) (HEADER ASSY)
HOUSING : HIGH TEMPERATURE THERMOPLASTIC UL94V-0
PIN : COPPER ALLOY
HOLD DOWN : COPPER ALLOY
 - PART (B) (GUIDE ASSY)
GUIDE : HIGH TEMPERATURE THERMOPLASTIC UL94V-0
PLATE
EMI CONTACT : COPPER ALLOY
HOLD DOWN : COPPER ALLOY
5. FINISH
- HDR PIN : *0.5µm MIN. Ni OVER ALL UNDER PLATING
*0.07µm MIN. Au AT CONTACT AREA
- PIN : *2.5µm MIN. Sn-Pb SOLDER TAIL
OR 2.5µm MIN. Sn (FOR -XXXXLF) SOLDER TAIL
- EMI CONTACT : PRE-PLATING
*0.5µm MIN. Ni OVER ALL UNDER PLATING
*0.5µm MIN. Au CONTACT AREA.
- HOLD DOWN : 2.5µm MIN. Sn OVER ALL.
6. DIM "L"
- | | | |
|----------|---------|---------|
| 4.25±0.1 | 3.5±0.1 | 5.0±0.1 |
| OTHERS | 36.87 | 42.24 |
- GENERAL TOLERANCE : ±0.3
 - SEE SHEET 1,2. REGARDING COMPONENTS.
 - THIS PRODUCT MEETS EUROPEAN UNION DIRECTIVES AND OTHER COUNTRY REGULATIONS AS DESCRIBED IN GS-22-008.
 - PRODUCT SPEC: 110-263



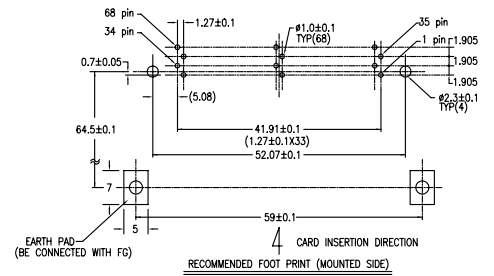
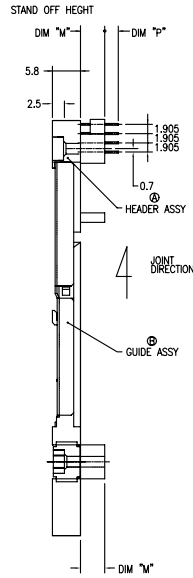
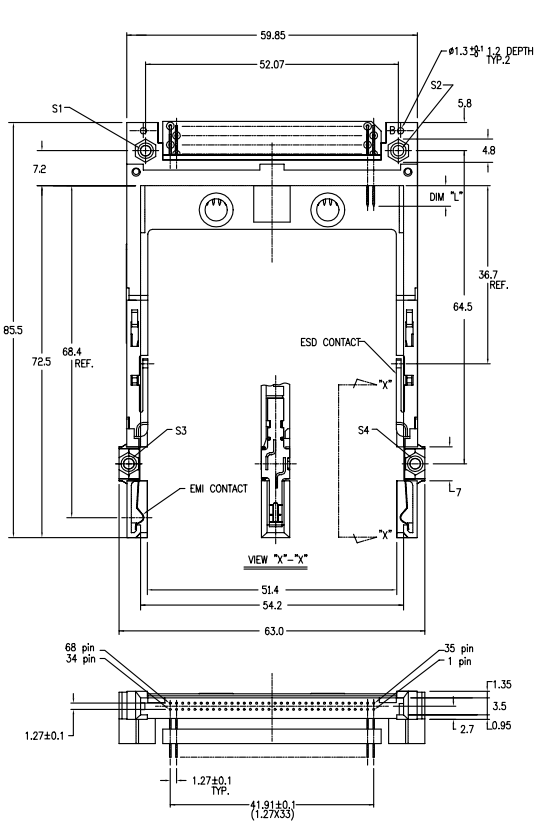
Copyright FCI



rev	ecn no	dr	date
N			

www.fciconnect.com		surface	tolerance std	projection	MM
		ANGULAR	OTHERWISE SPECIFIED	size	Scale
Dr	M.Hasegawa/n/s	LINEAR	0.X ±	ECN	
Eng	M.Hasegawa/n/s		0.XX ±	Spec ref	
Chr			0.XXX ±		
Appr		Product family	Header PCMCIA SAMP		
FCI		title 68P LONG HEADER TYPE I / II / III (WITH EMI CLIP)		92789	Rev. N
catalog no		CUSTOMER DRAWING		sheet 2 of 7	

PRODUCT NO.	
92789-520/520LF	△
92789-540/540LF/540HLF	△
92789-550/550LF	△
92789-550H/550HLF	△

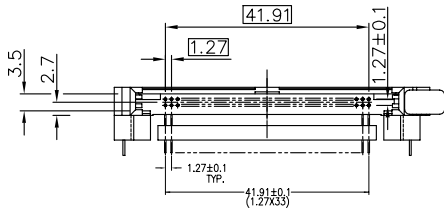
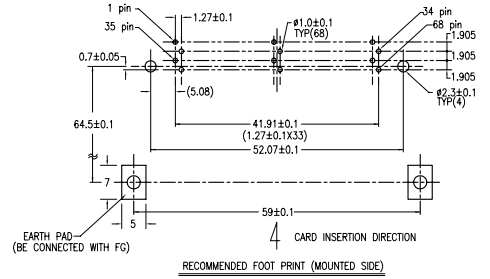
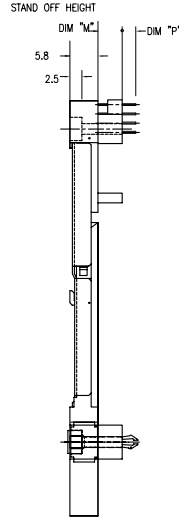
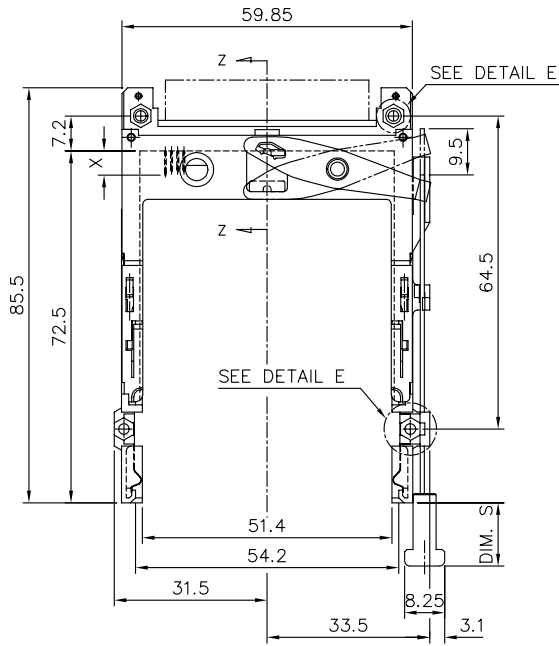


Copyright FCI

rev	ecn no	dr	date
N			

www.fciconnect.com		surface	tolerance std	projection	MM
		TOLERANCES UNLESS OTHERWISE SPECIFIED			
Dr	M.Hasegawa/n/s	ANGULAR	0.X ±	size	Scale
Eng	M.Hasegawa/n/s	LINEAR	0.XX ±		
Chr		0" ±	0.XXX ±		ECN
Appr		Product family	Header PCMCIA SANIF		Spec ref
FCI		title 68P LONG HEADER TYPE I/ II / III (WITH EMI CLIP)		92789	Rev. N
catalog no		CUSTOMER DRAWING			sheet 6 of 7

PRODUCT NO.
92789-055CALF



www.fciconnect.com		surface	tolerance std	projection	MM
		TOLERANCES UNLESS OTHERWISE SPECIFIED		size	Scale
Dr	M.Hasegawa/n/s	ANGULAR	0.X ±		
Eng	M.Hasegawa/n/s	LINEAR	0.XX ±		
Chr		0° ±	0.XXX ±	ECN	
Appr		Product family	Header PCMCIA SANF	Spec ref	
FCI		title 68P LONG HEADER TYPE I / II / III (WITH EMI CLIP)		92789	Rev. N
catalog no		CUSTOMER DRAWING		sheet 7 of 7	

rev	ecn no	dr	date
N			



Copyright FCI