

Excellent Integrated System Limited

Stocking Distributor

Click to view price, real time Inventory, Delivery & Lifecycle Information:

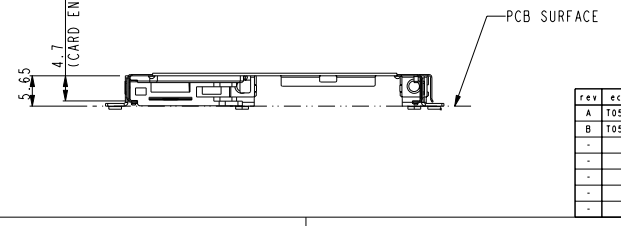
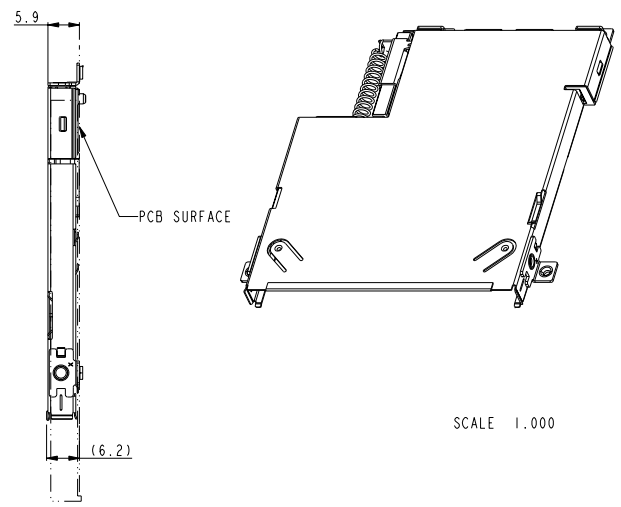
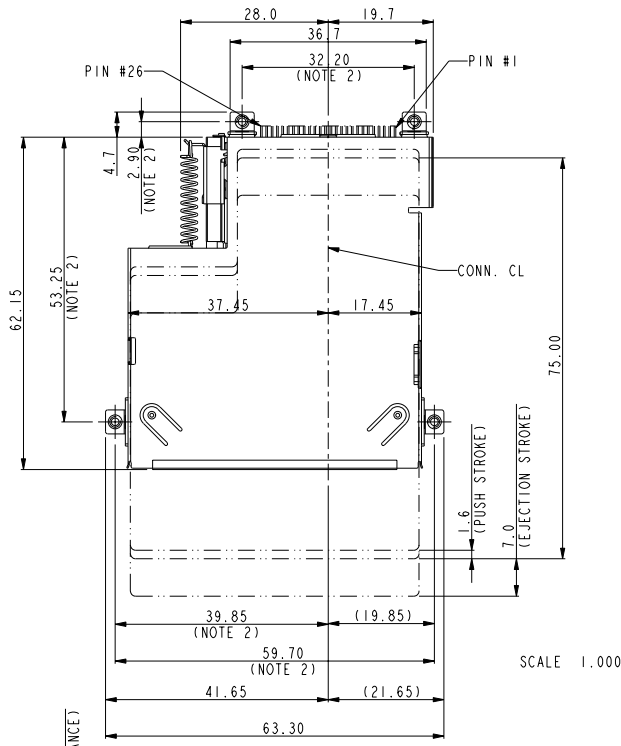
[FCI](#)
[10055263-00BLF](#)

For any questions, you can email us directly:
sales@integrated-circuit.com

Tous droits strictement réservés. Reproduction ou communication de ces lignes interdites sans autorisation écrite de FCI. Propriété de FCI. Droits de reproduction FCI.



All rights strictly reserved. Reproduction or issue to third parties in any form without written permission is prohibited. Property of FCI. Copyright FCI.



tolerance unless otherwise specified	
linear	.X ± .5
	.XX ± .30
angles	0° ± 2°

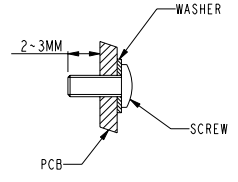
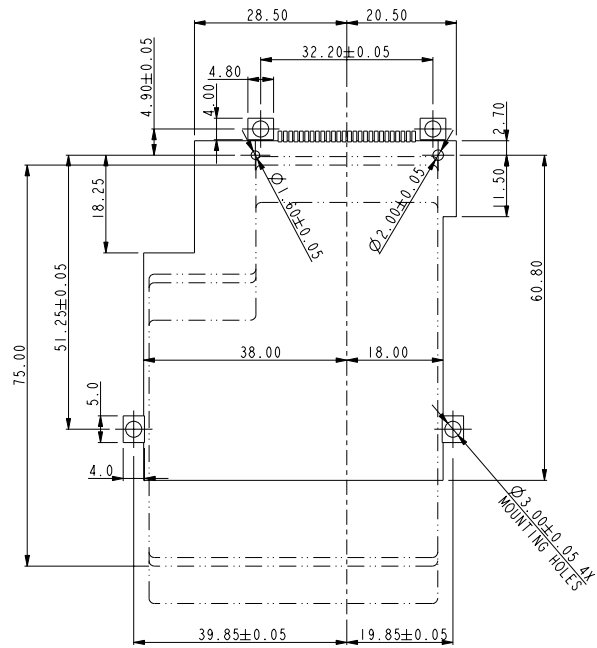
FCI www.fciconnect.com		tolerance ASME Y14.5	projection	MM
Dr	KENNY TAI	04/07/05	Product family	
Eng	KENNY TAI	04/07/05	Spec ref	
Chr	KENNY TAI	04/07/05	Material	SEE NOTES
Appr	PAUL WANG	04/07/05	ECN	T05-0244
Title			size	Scale
BELOW MOUNT, 0 S/O			A4	1.000
EXPRESSCARD HOST MECH.			ECN	T05-0244
catalog no			part no	Rev.
10055263			10055263	B
CUSTOMER			sheet	1 of 2

PART NO.	MOUNTING	STAND-OFF	HOST CONN P/N	PRODUCT SPEC.	PACKING SPEC.
10055263-00BLF	BELOW	OMM	10055262-X00BXXLF	GS-12-301	GS-14-295

Tous droits strictement réservés. Reproduction ou communication de ces liens interdite sans la permission écrite de l'éditeur. Propriété de E. FCI. Droits de reproduction FCI.

FCI

All rights strictly reserved. Reproduction or issue to third parties in any form without written permission is prohibited. Property of FCI. Copyright FCI.



DETAIL 2
RECOMMENDED SCREW LENGTH

NO MOUNTING PART AREA

- NOTE:
1. 4 M2*0.4P SCREWS WITH WASHER ARE REQUIRED.
 2. SHOW DIMENSION AFTER FASTENED TO PCB.
 3. SEE HOST CONNECTOR DRAWINGS FOR PCB LAYOUT DETAIL.
 4. RECOMMENDED TIGHTING TORQUE 1.6~1.8 KGF-CM.
 5. SEE DETAIL 2 FOR RECOMMENDED SCREW LENGTH.

Title	BELOW MOUNT, 0 S/O	des no	10055263		Rev.
	EXPRESSCARD HOST MECH.		CUSTOMER	sheet 2 of 2	
catalog no	10055263				