

Excellent Integrated System Limited

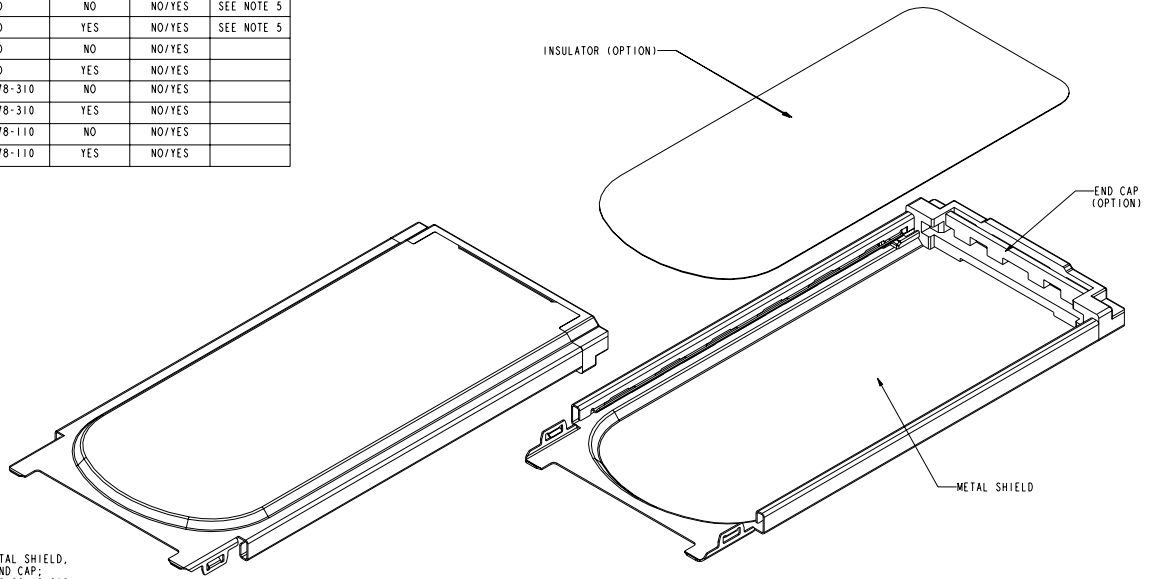
Stocking Distributor

Click to view price, real time Inventory, Delivery & Lifecycle Information:

[FCI](#)
[10030574-0010LF](#)

For any questions, you can email us directly:
sales@integrated-circuit.com

PRODUCT NO.	END CAP	INSULATOR	RECESS	REMARK
10030574-210OLF/210ORLF	10030578-210	NO	NO/YES	
10030574-210ILF/210IRLF	10030578-210	YES	NO/YES	
10030574-000OLF/000ORLF	NO	NO	NO/YES	SEE NOTE 5
10030574-000ILF/000IRLF	NO	YES	NO/YES	SEE NOTE 5
10030574-001OLF/001ORLF	NO	NO	NO/YES	
10030574-001ILF/001IRLF	NO	YES	NO/YES	
10030574-310OLF/310ORLF	10030578-310	NO	NO/YES	
10030574-310ILF/310IRLF	10030578-310	YES	NO/YES	
10030574-110OLF/110ORLF	10030578-110	NO	NO/YES	
10030574-110ILF/110IRLF	10030578-110	YES	NO/YES	



NOTES:
 1. THIS PRODUCT CONTAINS ONE METAL SHIELD, INSULATOR AND ONE PLASTIC END CAP;
 2. PRODUCT PERFORMANCE REFER TO GS-12-292;
 3. PART NUMBER SCHEME:

10030574- X X X X R L F

- WITH RECESS FEATURE
- INSULATOR: 0: NO, 1: YES
- 0: STANDARD SHIELD
- 1: EXTENDED SHIELD
- PLASTIC COLOR
- 0: W/O END CAP
- 1: BLACK
- OFFSET (END CAP)
- 0: W/O END CAP
- 1: +0.00
- 2: +0.30
- 3: +0.60

- 4. PACKAGING SPECIFICATION REFER TO GS-14-927;
- 5. THE P/N IS TEMPORARY FOR CUSTOMER SPECIAL REQUEST. MATING WITH END CAP IS THE RECOMMENDED PARTS;
- 6. THIS PRODUCT IS ROHS COMPLIANT, AND MEETS EUROPEAN UNION DIRECTIVES AND OTHER COUNTRY REGULATIONS AS PER GS-22-008;
- 7. DATE CODE FORMATE: WWYY (WEEK YEAR), FOR EXAMPLE, 2207 MEANS WEEK 22 AND YEAR 2007.



Copyright FCI.

rev	ecn no	dr	date
H	N07-0201	MSH	2007-08-28
J	N08-0247	R.B	2008/11/12
-	-	-	-
-	-	-	-

www.fciconnect.com		surface	tolerance	std	projection	MM	
Dr	DAVID TENG	2004-10-04	ANGULAR	0.X	±0.30	size A4	
Eng	DAVID TENG	2004-10-04	LINEAR	0.XX	±0.15	Scale 1.000	
Chr	PAUL WANG	2004-10-04	0° ±2°	0.XXX	±0.08	ECN N08-0247	
Appr	JOSEPH HSIA	2004-10-04	Product family	Spec ref			
BOTTOM SHIELD SUB-ASSEMBLY EXPRESSCARD/34 MODULE CARD KIT						10030574	Rev. J
catalog no						10030574	CUSTOMER sheet 1 of 4

REV F - 2006-00-17

3 PDM: Rev:J

STATUS Released

4 Printed: Oct 12, 2010

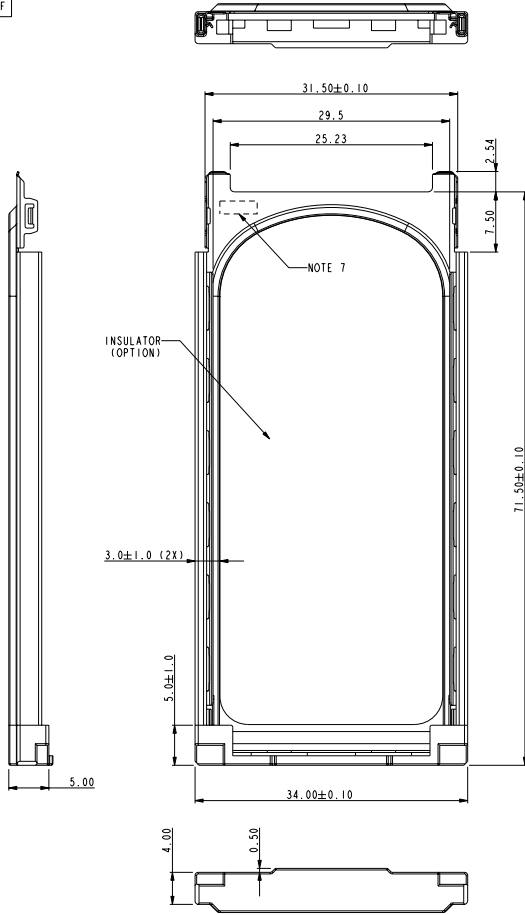
PRODUCT NO.
10030574-210XLF

A

B

C

D



INSULATOR (OPTION)

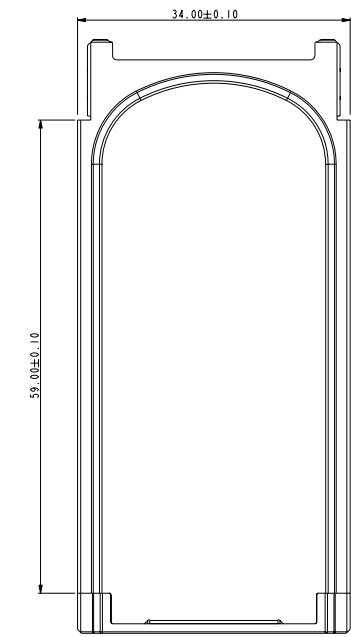
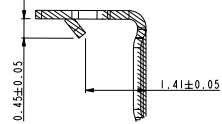
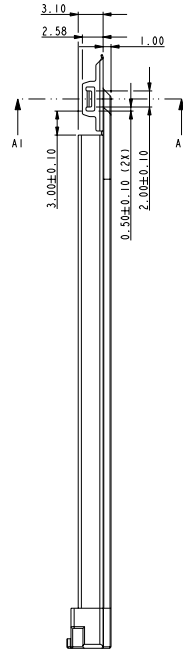
3.0±1.0 (2X)

5.00±1.0

4.00

0.50

SCALE 1.500



A

B

C

D

www.fciconnect.com			surface	tolerance std	projection	MM
			✓		⊕	
			TOLERANCES UNLESS OTHERWISE SPECIFIED			
Dr	DAVID TENG	2004-10-04	ANGULAR	0.x	±0.30	size A4
Eng	DAVID TENG	2004-10-04	LINEAR	0.xx	±0.15	Scale 1.000
Chr	PAUL WANG	2004-10-04	0° ±2°	0.xxx	±0.08	ECN N08-0247
Appr	JOSEPH HSIA	2004-10-04	Product family	Spec ref		
			FCI TITLE BOTTOM SHIELD SUB-ASSEMBLY EXPRESSCARD/34 MODULE CARD KIT		Eng no 10030574 Rev. J	
catalog no 10030574			CUSTOMER		sheet 2 of 4	

REV F - 2006-00-17

1

2

3 PDM: Rev:J

STATUS Released

4 Printed: Oct 12, 2010



Copyright FCI.

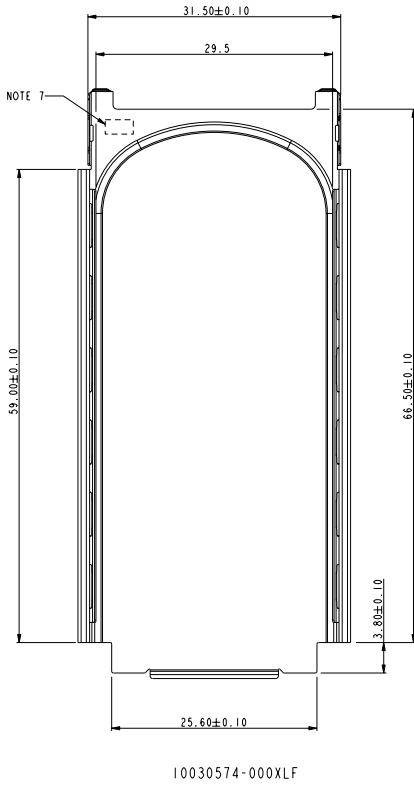
PRODUCT NO.
10030574-000XLF
10030574-001XLF

A

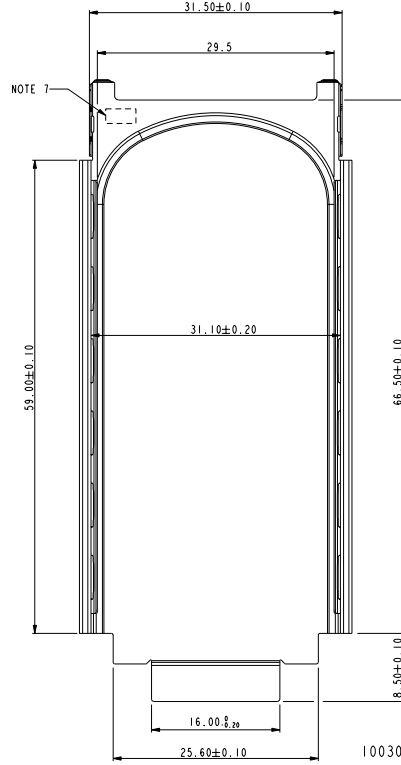
B

C

D



10030574-000XLF



10030574-001XLF



Copyright FCI.

www.fciconnect.com			surface	tolerance std	projection	MM
			TOLERANCES UNLESS OTHERWISE SPECIFIED		size A4	Scale 1.000
Dr	DAVID TENG	2004-10-04	ANGULAR	0.x ±0.30		
Eng	DAVID TENG	2004-10-04	LINEAR	0.xx ±0.15	ECN	N08-0247
Chr	PAUL WANG	2004-10-04	0° ±2°	0.xxx ±0.08	Spec ref	
Appr	JOSEPH HSIA	2004-10-04	Product family			
			TITLE BOTTOM SHIELD SUB-ASSEMBLY		eng no	10030574
			EXPRESSCARD/34 MODULE CARD KIT		Rev.	J
			catalog no	10030574	CUSTOMER	sheet 3 of 4

REV F - 2004-04-17

1

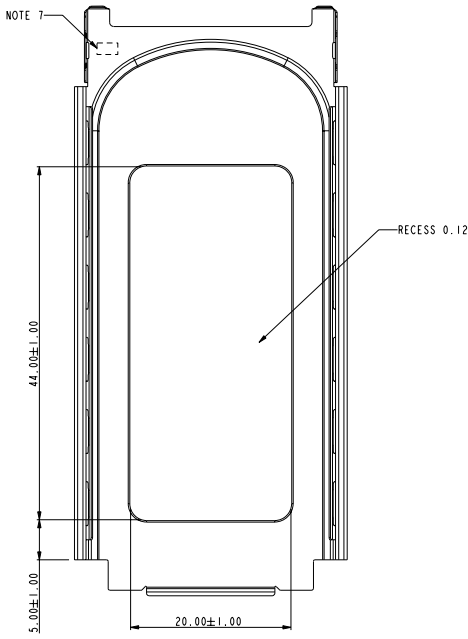
2

3 PDM: Rev:J

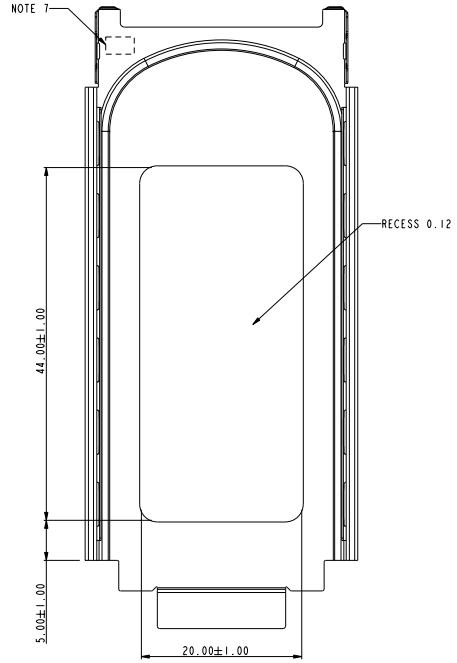
STATUS Released

4 Printed: Oct 12, 2010

PART NUMBER
10030574-000XRLF
10030574-001XRLF



10030574-000XRLF
 ALL FEATURE DIMENSIONS ARE SAME AS 10030574-000XLF
 EXCEPT THE RECESS FEATURE



10030574-001XRLF
 ALL FEATURE DIMENSIONS ARE SAME AS 10030574-001XLF
 EXCEPT THE RECESS FEATURE



Copyright FCI.

www.fciconnect.com			surface	tolerance std	projection	MM
			✓			
			TOLERANCES UNLESS OTHERWISE SPECIFIED			
Dr	DAVID TENG	2004-10-04	ANGULAR	0.x	±0.30	size A4
Eng	DAVID TENG	2004-10-04	LINEAR	0.xx	±0.15	Scale 1.000
Chr	PAUL WANG	2004-10-04	0° ±2°	0.xxx	±0.08	ECN N08-0247
Appr	JOSEPH HSIA	2004-10-04	Product family	Spec ref		
			Title		eng no	Rev.
			BOTTOM SHIELD SUB-ASSEMBLY		10030574	J
			EXPRESSCARD/34 MODULE CARD KIT			
			catalog no	10030574	CUSTOMER	sheet 4 of 4

REV F - 2006-04-17

3 PDM: Rev:J

STATUS Released

4 Printed: Oct 12, 2010