

Excellent Integrated System Limited

Stocking Distributor

Click to view price, real time Inventory, Delivery & Lifecycle Information:

[FCI](#)
[7111S2015X02LF](#)

For any questions, you can email us directly:
sales@integrated-circuit.com

A

B

C

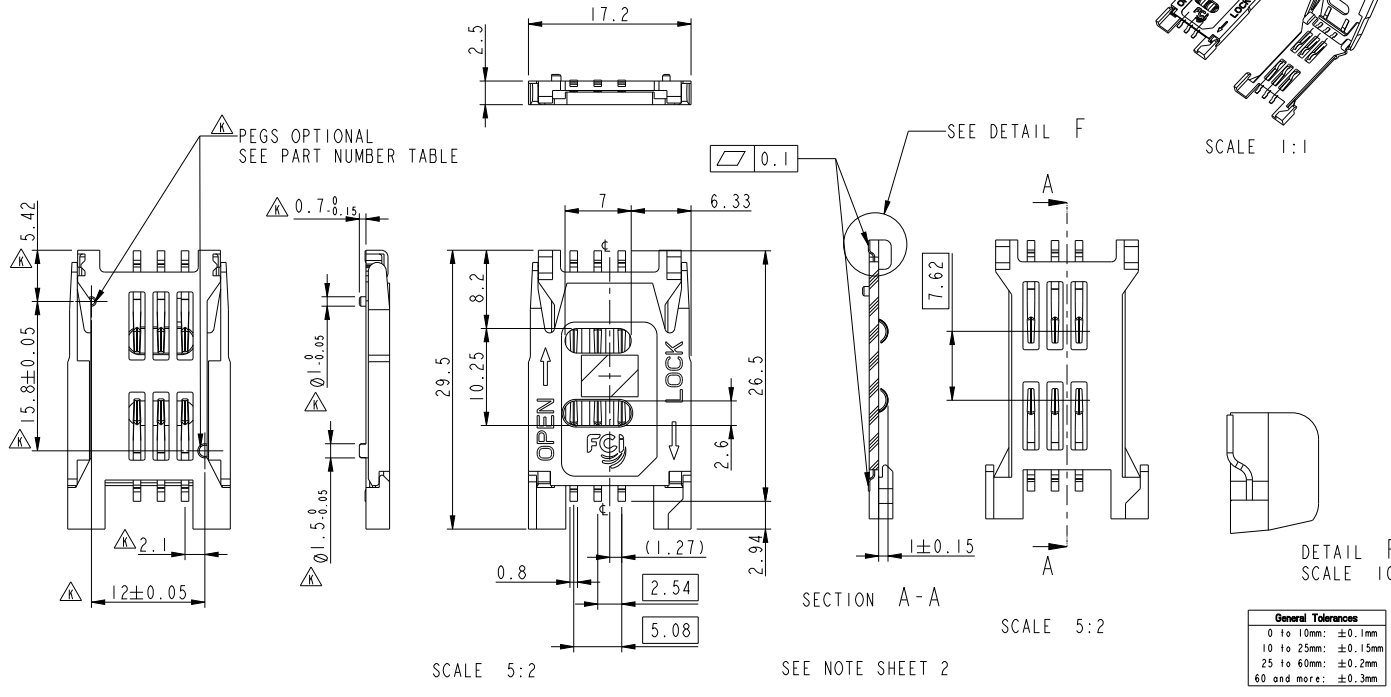
D

A

B

C

D



General Tolerances	
0 to 10mm:	±0.1mm
10 to 25mm:	±0.15mm
25 to 60mm:	±0.2mm
60 and more:	±0.3mm

Copyright FCI

PART NUMBER	DESCRIPTION
7111S2015X02LF	NO PEGS
7112S2015X02LF	WITH POSITION PEGS

spec ref	--	dr	P-Mathew Naidu	20110509	projection	mm	size	A3	scale	5:2	
tolerance std	ISO 406 ISO 1101	eng	P-Mathew Naidu	20150410	chr		ecn no	ELK-20528-1			
	TOLERANCES UNLESS OTHERWISE SPECIFIED	chr			appr	K-Paul Biju	20150413	product family	MOBILE I/O	rel level	Released
surface	linear	0.X	±	FCI	title	SIM CARD READER WITH COVER	cat. no.	see table	Product - Customer Drw	sheet 1 of 2	
	0.XX	±		www.fci.com	rev	S20					
	0.XXX	±			cat. no.						
ISO 1302	angular	0°	±°								

Prod File - REC C - 2009-04-09

1

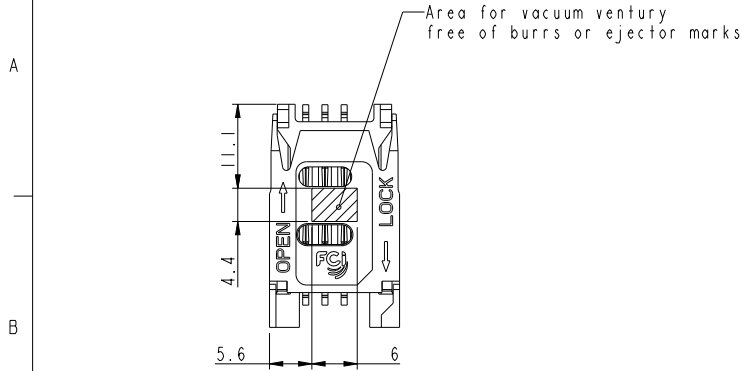
2

3

PDS: Rev :K

STATUS:Released

Printed: Apr 13, 2015



NOTES:

A -MECHANICAL PROPERTIES:

housing material: High Temp. Thermoplastic colour black, rated UL94V0

Contacts material: Copper Alloy

Contacts plating:

Contact area: Au over Ni / Equivalent GXT
Solder area: Matte Tin over Ni

Bare edge allowed.

Durability: 10000 mating cycles

Contacts force: 0.5 N MAX at maximum deflection

B -ELECTRICAL PROPERTIES:

Contact resistance: <100mΩ

Insulation resistance: >1000MΩ

Dielectrique withstanding voltage: >=1000Vrms

Current carrying capacity: min 10uA, MAX 1A

Voltage US: 5V ±0.1V with R=560Ω

C - ENVIRONMENT:

Operation temperature range: -40°C to +85°C

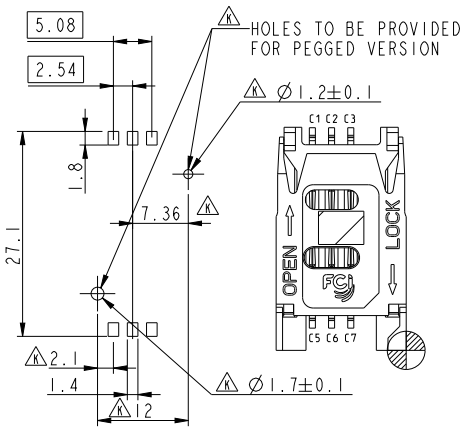
D -PACKAGING:

Tape and Reel

E -APPLICABLE DOCUMENT:

Standard: card standard ISO 7810 , ISO 7816 , GSM 11.11

RECOMMENDED PCB LAYOUT



LEAD FREE VERSION:

"This product meets European Union Directives and other country regulations as described in GS-47-0004"

The housing will withstand exposure to 260°C peak temperature for 10seconds in a convection reflow oven.

General Tolerances	
0 to 10mm:	±0.1mm
10 to 25mm:	±0.15mm
25 to 60mm:	±0.2mm
60 and more:	±0.3mm

spec ref	--	dr	P-Mathew Nedu	20150509	projection	mm	size	A3	scale	2:1
tolerance std	ISO 406 ISO 1101	eng	P-Mathew Nedu	20150410		mm	ecn no	ELX-20528-1	rel level	Released
TOLERANCES UNLESS OTHERWISE SPECIFIED		chr								
surface	ISO 1302	appr	K-Paul Biju	20150413	product family	MOBILE I/O	cat. no.	see table	Product - Customer Drw	sheet 2 of 2
linear	0.X ± 0.XX ± 0.XXX ±			title	SIM CARD READER WITH COVER		eng no	VJW54355	rev	K
angular	0° ±	www.fci.com		cat. no.	see table	Product - Customer Drw	STATUS:Released	Printed: Apr 13, 2015		

Copyright FCI.