

## Excellent Integrated System Limited

Stocking Distributor

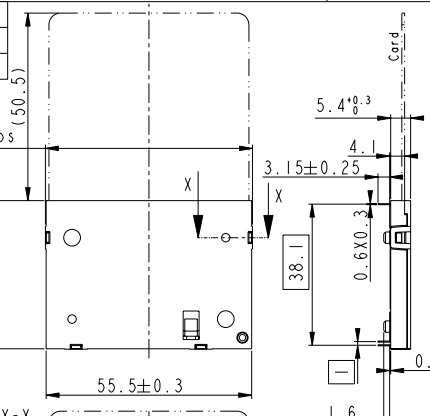
Click to view price, real time Inventory, Delivery & Lifecycle Information:

[FCI](#)  
[7432E0225S01LF](#)

For any questions, you can email us directly:

[sales@integrated-circuit.com](mailto:sales@integrated-circuit.com)

PART NUMBER	LEAD FREE VERSION	MARKING
7432E0225S01	7432E0225S01LF	YES
7332E0225S01	7332E0225S01LF	NO



**GENERAL :**  
 High cycle life duration smart card connector with landing type contacts mechanism. The landing type connector also provides the feature of recessed contacts when card is not inserted which protects them against vandalism.  
 Smart card for reference purposes only.

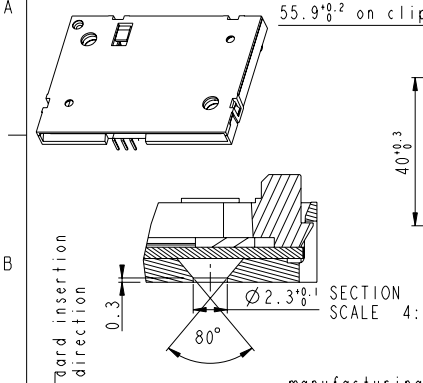
**ELECTRICAL PROPERTIES:**  
 Insulation resistance : > 1000MΩ  
 Dielectric withstanding voltage : > 750 Vrms  
 Current carrying capacity : Min 10µA, Max 1A  
 Contact resistance : < 100mΩ

**MECHANICAL PROPERTIES :**  
 Operating force : Insertion : F < 10N  
 Withdrawal : 1 < F < 10N  
 Contact Normal force : 0.2 < F < 0.3 for 0.6mm of deflection  
 Durability : 200 000 mating cycles

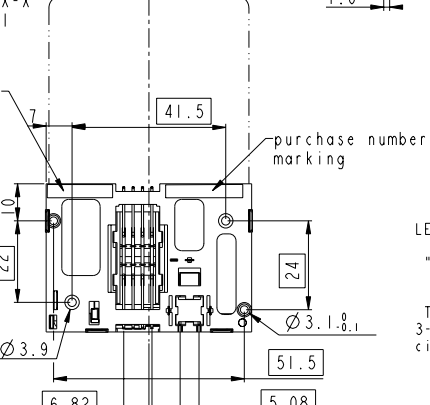
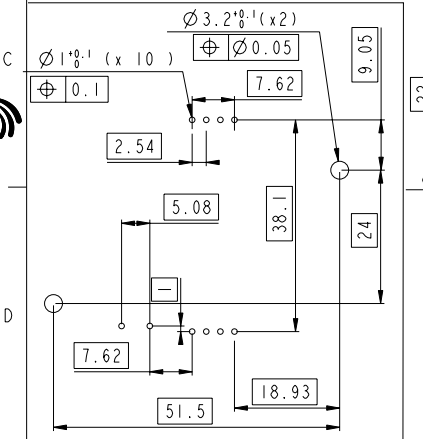
**MATERIAL :**  
 Head reader : Thermoplastic, Colour Grey, Rated UL94V0  
 Cover : Thermoplastic, Colour Grey, Rated UL94V0  
 Contacts : Copper alloy,  
 Plating : Gold over Ni or equivalent on contact area  
 SnPb over Ni on solder tails (FOR LEADED VERSION)  
 Matte tin over Ni on solder tails (FOR LEAD FREE VERSION)

**ENVIRONMENT :**  
 Operating temperature : -40°C / +85°C  
 Climatic conditions : UTE 93-421

**PACKAGING :**  
 Plastic cavity tray



card insertion direction  
 Recommended PCB Layout (Component side)  
 manufacturing date (year-week)  
 purchase number marking



**LEAD FREE VERSION:**  
 "This product meets European Union Directives and other country regulations as described in GS-22-008"  
 The housing will withstand exposure to 260°C peak temperature for 3-5seconds in a wave solder application with a 1.6mm minimum thick circuit board.

rev	ecn no	dr	date
B	F20341	DLE	2002/06/04
C	LS3077	MPE	2003/09/17
D	LS3088	MPE	2003/10/13
E	105-0176	NT	2005/09/30
F	106-0078	DTK	2006/06/19
G	108-0136	SSC	2008/10/10
H	109-0013	SSC	2009/01/24

**General Tolerances**

0 to 10mm:	±0.1mm
10 to 30mm:	±0.15mm
30 to 60mm:	±0.2mm
60 and more:	±0.3mm

www.fciconnect.com		surface -- ✓	tolerance std ISO 1302	ISO 406	ISO 1101	projection	mm
		TOLERANCES UNLESS OTHERWISE SPECIFIED				size	Scale 1:1
Dr	J. TARON	2002/04/29	ANGULAR	0.x	±	A3	
Eng	LE GALLIC	2002/04/29	LINEAR	0.xx	±		
Chr	S. S. CHERIAN	2009/01/24	0°	0.xxx	±	ECN	109-0013
Appr	S. S. CHERIAN	2009/01/24	Product family	MOBILE I/O	Spec ref	--	
FCI E02 WITH PEG		SMART CARD READER VXX 27790		VJW54004		Rev.	H
catalog no	See Table	CUSTOMER	sheet 1 of 1				