

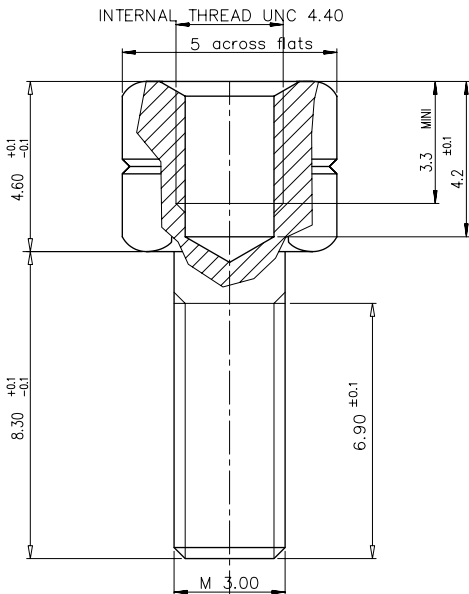
Excellent Integrated System Limited

Stocking Distributor

Click to view price, real time Inventory, Delivery & Lifecycle Information:

[FCI](#)
[863001TLF](#)

For any questions, you can email us directly:
sales@integrated-circuit.com



TECHNICAL CHARACTERISTICS :

- Female screw locks: brass, tin
- Compensating washer: steel, tin
- Nuts : steel, tin
- Packaging : per 100 pieces .
- Corrosion resistance : 50 hour .

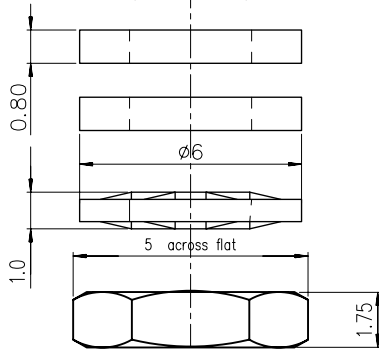
NOTE:RoHS INFORMATIONS

- The "LF" products meet European union Directives and other country regulations as described in GS-22-008.
- Plating Sn (pure bright) over copper
- Packaging spec: see GS-14-920

LEAD FREE NUMBER	863001TLF	PACKAGING:per 100 pieces
------------------	-----------	--------------------------



Copyright FCI



European Views

www.fciconnect.com		surface ISO 1302 ✓	tolerance std ISO 406 ISO 1101	projection mm
TOLERANCES UNLESS OTHERWISE SPECIFIED				
Dr	JOUBERT	1996/01/28	ANGULAR	0.X ±0.1
Eng	JOUBERT	1996/01/28	LINEAR	0.XX ±0.1
Chr	LEGARE	1996/01/28	0.XX ±2	0.XXX ±0.1
Appr	LEGARE	1996/01/28	Product family	D-SUB
Title			FEMALE SCREW LOCK	size A3
D SUB ACCESSORIES			catalog no	C01-8655-0698
Rev.			H	Scale 10
spec ref			-	ECN I10-0091
CUSTOMER			sheet	1 of 1

rev	ecn no	dr	date
B	-	SBA	2003/04/15
C	LS05-0026	LMA	2005/02/09
D	-	-	-
E	LS06-0097	LGO	2006/07/28
F	LS09-0006	PCR	2009/01/08
G	LS09-0063	PCR	2009/03/25
H	I10-0091	AMR	2010/04/10



REV F - 2006-04-17