

## Excellent Integrated System Limited

Stocking Distributor

Click to view price, real time Inventory, Delivery & Lifecycle Information:

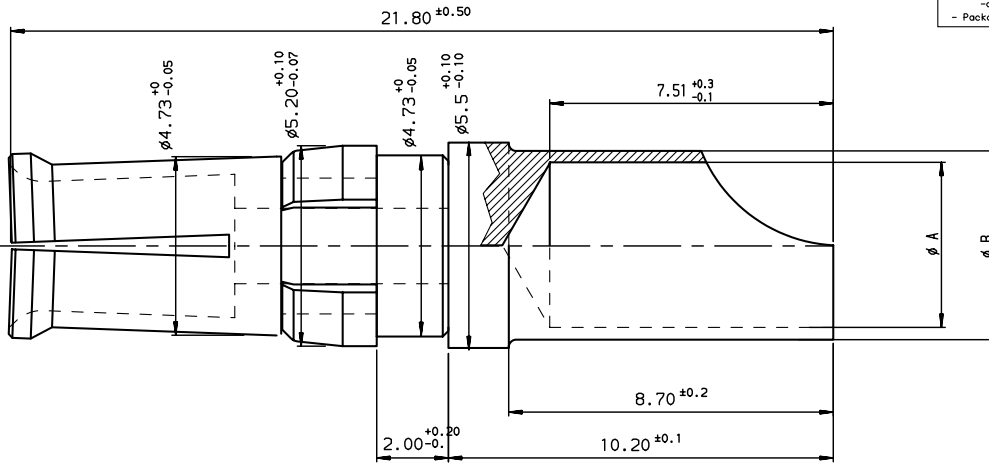
[FCI](#)  
[8638PSS1005LF](#)

For any questions, you can email us directly:

[sales@integrated-circuit.com](mailto:sales@integrated-circuit.com)

		Core range					
TIN LEAD PART NUMBER	LEAD FREE PART NUMBER	CURRENT max A	AWG WIRE	mm <sup>2</sup> WIRE AREA	$\varnothing A$	$\varnothing B$	COLOUR CLIP
8638PSS4005	8638PSS4005LF	40	8	Section 8.98 mm <sup>2</sup> $\varnothing$ Ame 3.90 mm	4.40	5.50	blue
8638PSS2005	8638PSS2005LF	20	12	Section 3.18 mm <sup>2</sup> $\varnothing$ Ame 2.40 mm	2.80	3.65	red
8638PSS1005	8638PSS1005LF	10	16	Section 1.34 mm <sup>2</sup> $\varnothing$ Ame 1.50 mm	1.70	2.60	black

**NOTE:RoHS INFORMATION**  
 - The "LF" products meet European union Directives and other country regulations as described in 65-22-008.  
 - Termination plating spec: Cu 2 +0 +2 um, Sn 3 +0 +3um (pure matte)  
 - active area:CuZn40 Pb3 1µNi+gold  
 - Packaging spec: see 65-14-920



**Materials and finish for TIN LEAD**  
 contact:CuZn40 Pb3 1µNi+gold  
 Solder buckets:CuZn36Pb3 2µNi+2µSnPb mini  
 Clip : plastic  
**Technical characteristics**  
 Peak voltage: 750Veff.  
 Operating voltage: 500Veff.  
 Temperature range:-55°C +125°C  
 Packaging per 100  
 Current capability see table  
**Mechanical characteristics:**  
 Mechanical endurance : > 200 matings/unmatings .  
 Contact insertion force in insulator:  
 60N maxi in a hole of 4.80mm  
**Examination of product:**  
 Remove all burns and sharp edges 0.08 maxi  
 No scratch on all pieces

Copyright FCI

www.fciconnect.com		surface ISO 1302	tolerance std ISO 406 ISO 1101	projection mm																																								
		TOLERANCES UNLESS OTHERWISE SPECIFIED																																										
Dr JARRY	1994/12/13	ANGULAR	0.X	±0.1																																								
Eng PESSON	1994/12/13	LINEAR	0.XX	±0.1																																								
Chr LEGARE	1994/12/13	0.X' ±2'	0.XXX	±0.1																																								
Appr LEGARE	1994/12/13	Product family	D-SUB Spec ref -																																									
<table border="1"> <thead> <tr> <th>rev</th> <th>ecn no</th> <th>dr</th> <th>date</th> </tr> </thead> <tbody> <tr><td>D</td><td>-</td><td>JAR</td><td>2003/03/13</td></tr> <tr><td>E</td><td>LS05-005</td><td>MPE</td><td>2005/04/05</td></tr> <tr><td>F</td><td>LS06-0097</td><td>LGO</td><td>2006/07/27</td></tr> <tr><td>G</td><td>LS07-0059</td><td>MPE</td><td>2006/02/27</td></tr> <tr><td>H</td><td>LS08-0029</td><td>MPE</td><td>2008/01/28</td></tr> <tr><td>-</td><td>-</td><td>-</td><td>-</td></tr> <tr><td>-</td><td>-</td><td>-</td><td>-</td></tr> </tbody> </table>		rev	ecn no	dr	date	D	-	JAR	2003/03/13	E	LS05-005	MPE	2005/04/05	F	LS06-0097	LGO	2006/07/27	G	LS07-0059	MPE	2006/02/27	H	LS08-0029	MPE	2008/01/28	-	-	-	-	-	-	-	-	<table border="1"> <tr> <td>FCI</td> <td>FEMALE CONTACT FOR</td> <td>Rev.</td> </tr> <tr> <td>FCI</td> <td>SOLDER CONNECTION</td> <td>H</td> </tr> <tr> <td>catalog no</td> <td></td> <td></td> </tr> </table>		FCI	FEMALE CONTACT FOR	Rev.	FCI	SOLDER CONNECTION	H	catalog no		
rev	ecn no	dr	date																																									
D	-	JAR	2003/03/13																																									
E	LS05-005	MPE	2005/04/05																																									
F	LS06-0097	LGO	2006/07/27																																									
G	LS07-0059	MPE	2006/02/27																																									
H	LS08-0029	MPE	2008/01/28																																									
-	-	-	-																																									
-	-	-	-																																									
FCI	FEMALE CONTACT FOR	Rev.																																										
FCI	SOLDER CONNECTION	H																																										
catalog no																																												
		deg	C01-8638-0335-1																																									
			CUSTOMER	sheet 1 of 1																																								

REV F - 2006-04-17