

Excellent Integrated System Limited

Stocking Distributor

Click to view price, real time Inventory, Delivery & Lifecycle Information:

[FCI](#)
[86552153TLF](#)

For any questions, you can email us directly:
sales@integrated-circuit.com

INTERNAL THREAD UNC 4.40

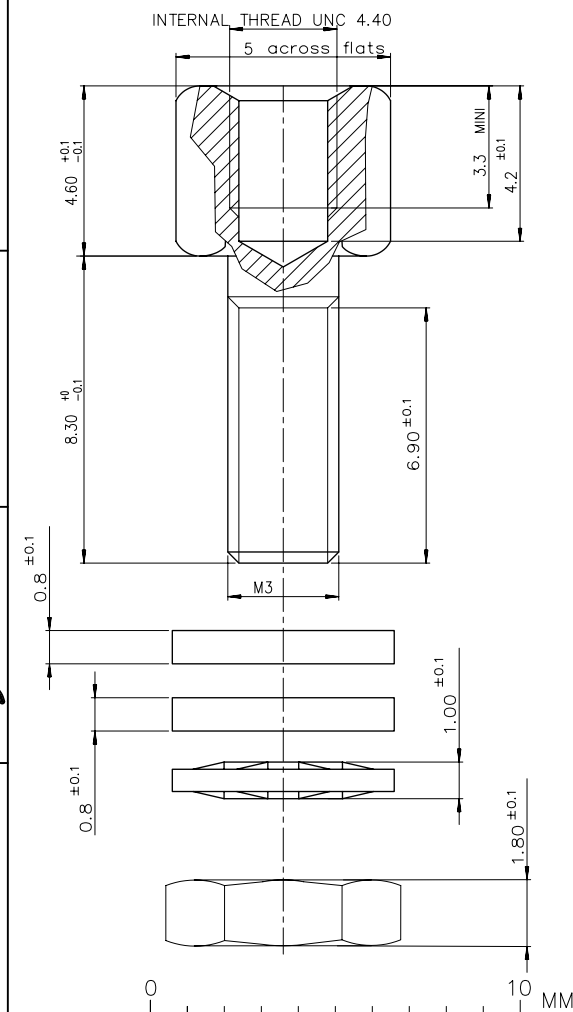
5 across flats

A

B

C

D



NOTES

- Material : steel tin plated
- Corrosion resistance : 24 hours exposure to salt spray
- Compensating washer thickness : 0.8 mm

Part number: 86552153TLF

NOTE1:RoHS INFORMATIONS

- The "LF" product meets European union Directives and other country regulations as described in GS-22-008.
- The product is not intended to be exposed to a manufacturing solder process.
- Packaging spec: see GS-14-920.

Copyright FCI FCI

European Views

www.fciconnect.com		surface ISO 1302 ✓	tolerance std ISO 406 ISO 1101	projection mm
TOLERANCES UNLESS OTHERWISE SPECIFIED				
Dr	GOISNARD	2006/01/12	ANGULAR	0.X ±0.1
Eng	PESSON	2006/01/12	LINEAR	0.XX ±0.1
Chr	ABHILASH	2009/06/19	0.XX ±2	0.XXX ±0.1
Appr	SUDHIR	2009/06/19	Product family	D-SUB
Title		FEMALE SCREW LOCKS		size A3
catalog no		-		Scale 10
-		-		ECN LS06-0095
-		-		Spec ref -
-		-		Rev. C
-		-		chg no C01-8655-1655
-		-		sheet 1 of 1

rev	ecn no	dr	date
A	LS05-0123	LGO	2006/01/12
B	LS06-0095	LGO	2006/06/24
C	I09-0100	AMR	2009/06/19
-	-	-	-
-	-	-	-
-	-	-	-

REV F - 2006-04-17