

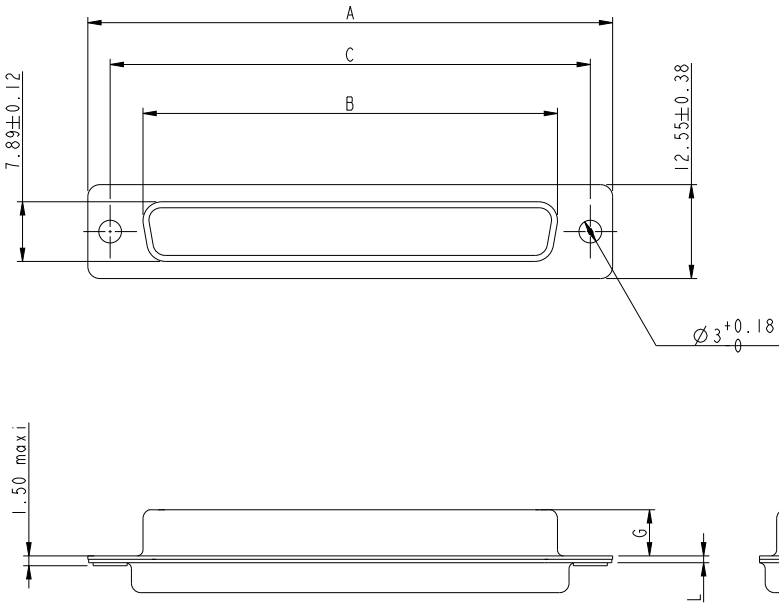
Excellent Integrated System Limited

Stocking Distributor

Click to view price, real time Inventory, Delivery & Lifecycle Information:

[FCI](#)
[86553148TLF](#)

For any questions, you can email us directly:
sales@integrated-circuit.com



Shell size	A ^{+0.76} ₀	B ^{+0.25} ₀	C ± 0.12	F ± 0.12	G ^{+0.25} ₀	L ^{+0.22} ₀	Part Number
E	30.43	16.21	24.99	10.96	6.05	0.80	86553148
A	38.76	24.54	33.32	10.96	6.05	0.80	86553149
B	52.65	38.25	47.04	10.96	6.05	0.80	86553150
C	68.94	54.71	63.50	10.96	6.05	0.80	86553151

CADMIUM PLATED

NOTES

- Plating : Cadmium
- Packaging spec : see GS-14-920

spec ref	-	dr	A.Patrasin	20130404	projection	mm	size	A3	scale	2:1				
tolerance std	ISO 406 ISO 1101	eng	A.Patrasin	20130516		mm	A3	2:1	ecn no	ELX-B-14776-1				
TOLERANCES UNLESS OTHERWISE SPECIFIED		chr	Laurent Mullin	20130516							product family	D-Sub	rel level	Released
surface	linear	0.X	±0.3	0.XX							±0.10	0.XXX	±0.05	ISO 1302