

## Excellent Integrated System Limited

Stocking Distributor

Click to view price, real time Inventory, Delivery & Lifecycle Information:

[FCI](#)  
[10035104-001LF](#)

For any questions, you can email us directly:

[sales@integrated-circuit.com](mailto:sales@integrated-circuit.com)

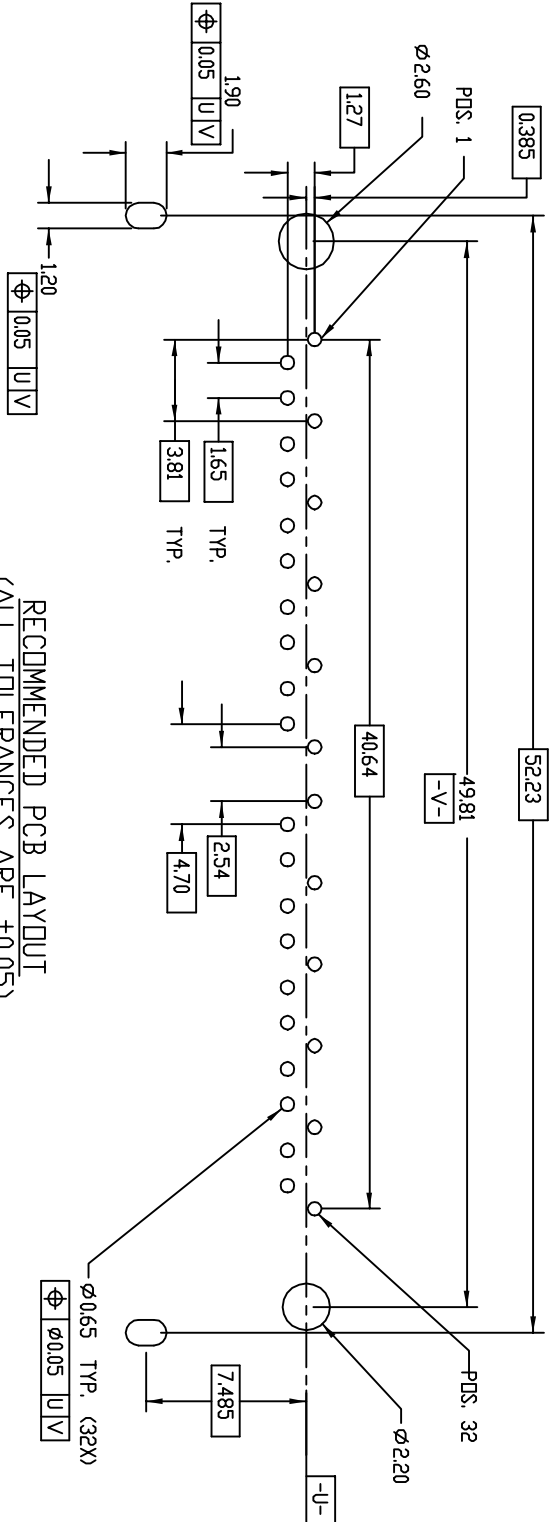


All rights strictly reserved. Reproduction or issue to third parties in any form whatever is not permitted without written authority from the proprietor.  
 Property of FCI. Copyright FCI.



Tous droits strictement reserves. Reproduction ou communication a des tiers interdite sous quelque forme que ce soit sans autorisation ecrite du propriétaire.  
 Propriete de c FCI. Droits de reproduction FCI.

PRODUCT NO.	PCB THICKNESS	DIMENSION 'A'	DIMENSION 'B'	DIMENSION 'C'	COLOR
10035104-001LF	1.57±0.10	2.54±0.20	2.75±0.20	3.20±0.10	BLACK
10035104-002LF	3.18±0.10	4.06±0.20	4.35±0.20	4.80±0.10	BLACK
10035104-003LF	1.57±0.10	2.54±0.20	2.75±0.20	1.55±0.10	BLACK
10035104-004LF	3.18±0.10	4.06±0.20	4.35±0.20	1.55±0.10	BLACK
10035104-101LF	1.57±0.10	2.54±0.20	2.75±0.20	3.20±0.10	NATURAL



RECOMMENDED PCB LAYOUT  
 (ALL TOLERANCES ARE ±0.05)

SCALE 3:1

NOTES

- MATERIAL:  
 HOUSING: HIGH TEMPERATURE PLASTIC, UL94V-0  
 CONTACT: COPPER ALLOY  
 HOLD DOWN: COPPER ALLOY
- FINISH:  
 CONTACT: 127µm MIN NICKEL UNDERPLATE OVERALL,  
 254µm MIN TIN (LEAD-FREE) ON SOLDER TAIL,  
 0.76µm MIN GOLD IN CONTACT AREA
- THIS PRODUCT MEETS EUROPEAN UNION DIRECTIVES AND OTHER COUNTRY REGULATIONS AS DESCRIBED IN GS-22-008
- THE HOUSING WILL WITHSTAND EXPOSURE TO 260°C PEAK TEMPERATURE FOR 10 SECONDS IN A CONVECTION, INFRARED OR VAPOR PHASE REFLOW OVEN
- CONTACT WIPE: 207 MIN FOR SIGNAL AND 252 MIN FOR GROUND

title	4 LANE R/A TH HEADER	Rev.	B
catalog no		CUSTOMER	10035104
		sheet	2 of 2

1

2

3

4

1

2

3

4