

Excellent Integrated System Limited

Stocking Distributor

Click to view price, real time Inventory, Delivery & Lifecycle Information:

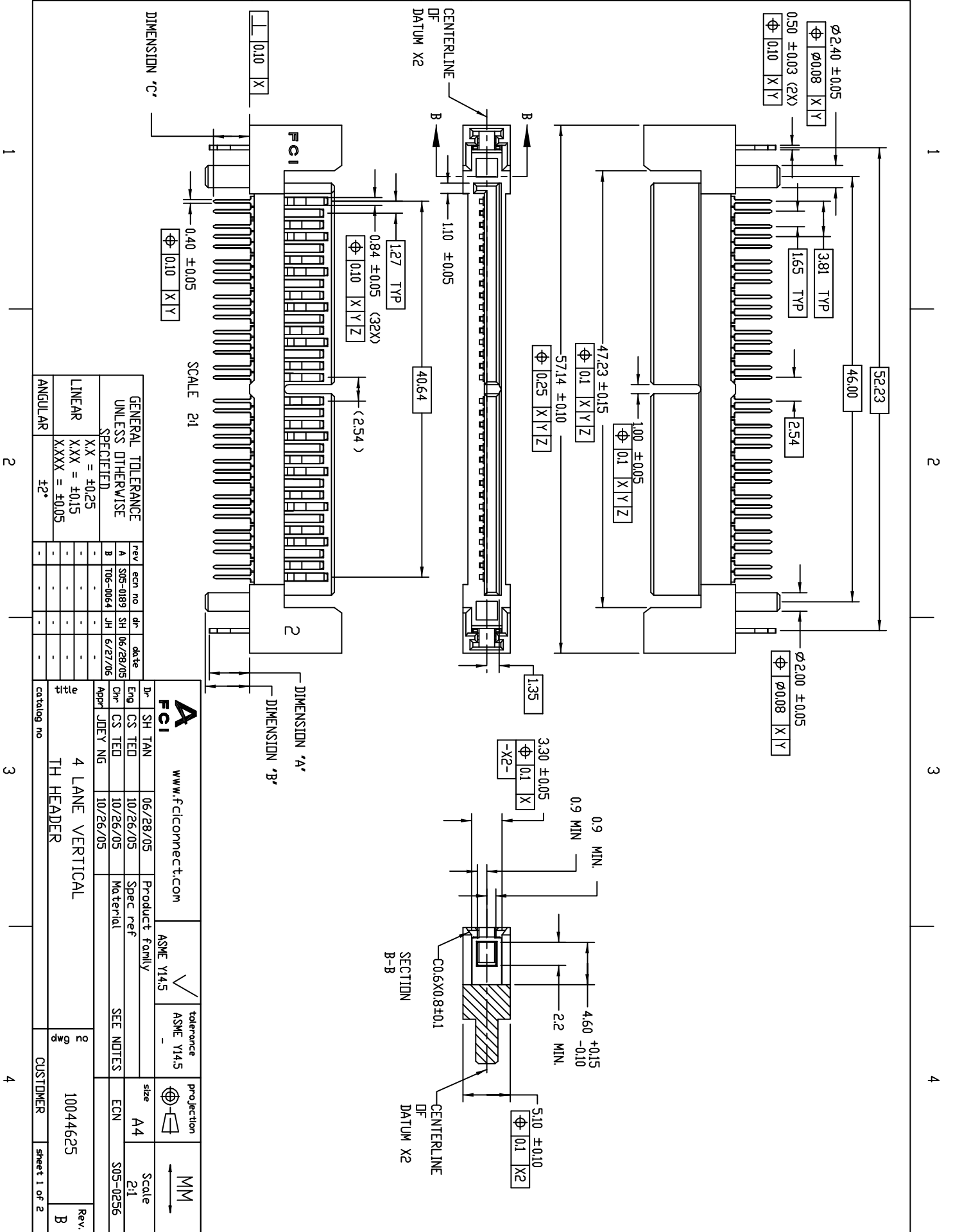
[FCI](#)
[10044625-001LF](#)

For any questions, you can email us directly:
sales@integrated-circuit.com

All rights strictly reserved. Reproduction or issue to third parties in any form whatever is not permitted without written authority from the proprietor. Property of FCI. Copyright FCI.



Tous droits strictement reserves. Reproduction ou communication a des tiers interdite sous quelque forme que ce soit sans autorisation ecrite du proprietaire. Propriete de c FCI. Droits de reproduction FCI.



GENERAL TOLERANCE
UNLESS OTHERWISE SPECIFIED

rev	ecm no.	sh	date
A	S05-0189	SH	06/28/05
B	T06-0064	JH	6/27/06

LINEAR
X.X = ±0.25
X.XX = ±0.15
X.XXX = ±0.05

ANGULAR
±2°

FCI www.fciconnect.com

Dr	SH TAN	06/28/05	Product family	ASME Y14.5	tolerance	ASME Y14.5	projection	size	A4	Scale	2:1
Eng	CS TED	10/26/05	Spec ref								
Chm	CS TED	10/26/05	Material								
Appr	JDEY NG	10/26/05									

SEE NOTES

ECN S05-0256

customer 10044625

Rev. B

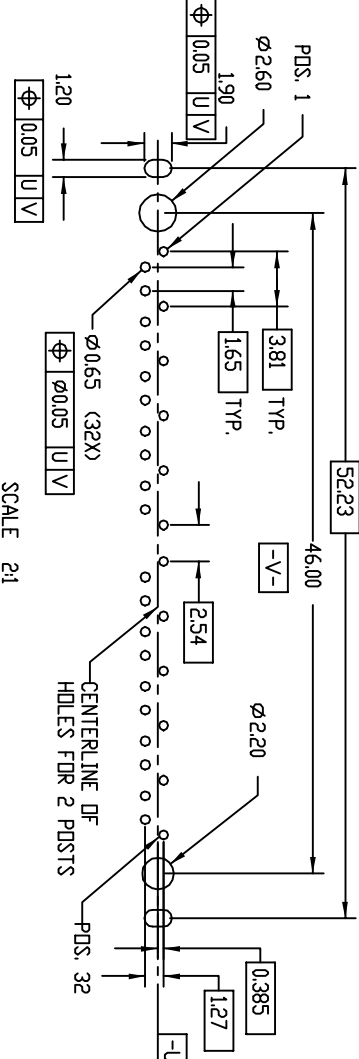
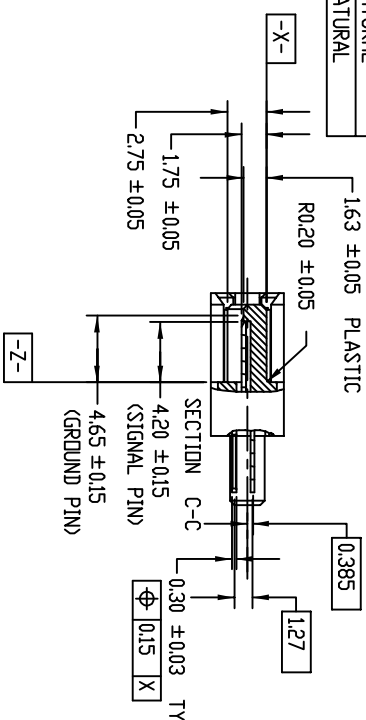
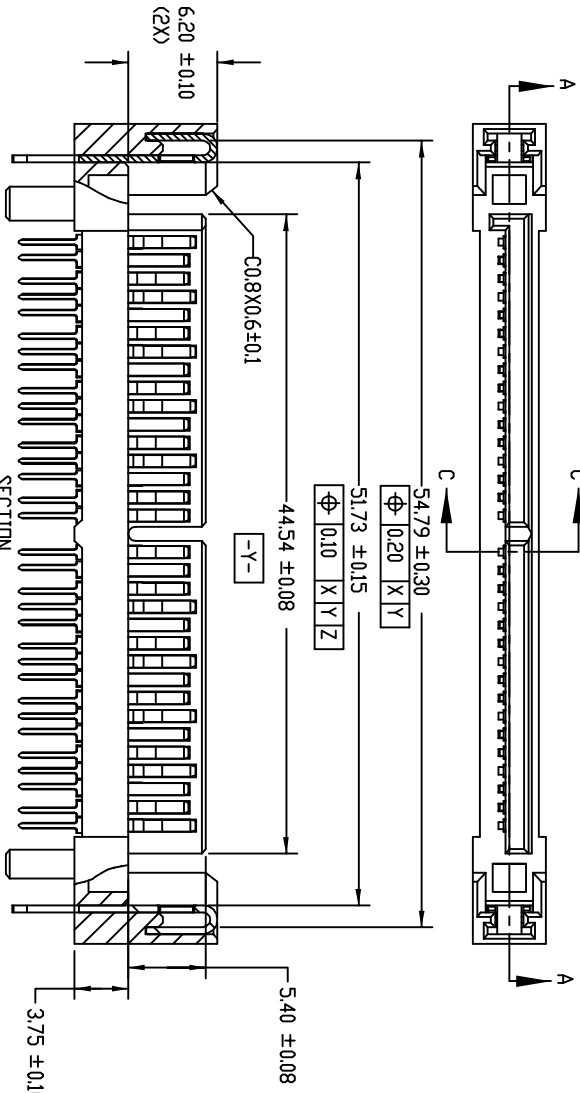
sheet 1 of 2

All rights strictly reserved. Reproduction or issue to third parties in any form whatever is not permitted without written authority from the proprietor. Property of FCI. Copyright FCI.



Tous droits strictement reserves. Reproduction ou communication a des tiers interdite sous quelque forme que ce soit sans autorisation ecrite du proprietaire. Propriete de c FCI. Droits de reproduction FCI.

PRODUCT NO.	PCB THICKNESS	DIMENSION 'A'	DIMENSION 'B'	DIMENSION 'C'	COLOR
10044625-001LF	1.57±0.10	2.75±0.20	3.20±0.10	2.54±0.20	BLACK
10044625-002LF	3.18±0.10	4.35 +0.10/-0.20	4.80±0.10	4.06±0.20	BLACK
10044625-003LF	1.57±0.10	2.75±0.20	1.55±0.10	2.54±0.20	BLACK
10044625-004LF	2.67±0.10	4.35±0.10/-0.20	4.20±0.10	3.65±0.20	BLACK
10044625-102LF	3.18±0.10	4.35±0.10/-0.20	4.80±0.10	4.06±0.20	NATURAL
10044625-104LF	2.67±0.10	4.35±0.10/-0.20	4.20±0.10	3.65±0.20	NATURAL



RECOMMENDED PCB LAYOUT
 (ALL TOLERANCES ARE ±0.05)

- NOTES
- MATERIAL:
 HOUSING: HIGH TEMPERATURE PLASTIC, UL94V-0
 CONTACT: COPPER ALLOY
 HOLD DOWN: COPPER ALLOY
 - FINISH:
 MIN NICKEL UNDERPLATE OVERALL,
 1.27µm MIN TIN (LEAD-FREE) ON SOLDER TAIL,
 2.54µm MIN TIN (LEAD-FREE) ON SOLDER TAIL,
 0.76µm MIN GOLD IN CONTACT AREA
 - THIS PRODUCT MEETS EUROPEAN UNION DIRECTIVES AND OTHER COUNTRY REGULATIONS AS DESCRIBED IN GS-22-008
 - THE HOUSING WILL WITHSTAND EXPOSURE TO 260°C PEAK TEMPERATURE FOR 10 SECONDS IN A CONVECTION, INFRARED OR VAPOR PHASE REFLUX OVEN
 - CONTACT WIPE: 207 MIN FOR SIGNAL AND 252 MIN FOR GROUND

Part #	TH HEADER	4 LANE VERTICAL	Rev. B
Catalog no			10044625
Customer			Sheet 2 of 2