

## Excellent Integrated System Limited

Stocking Distributor

Click to view price, real time Inventory, Delivery & Lifecycle Information:

[FCI](#)  
[10045646-001TRLF](#)

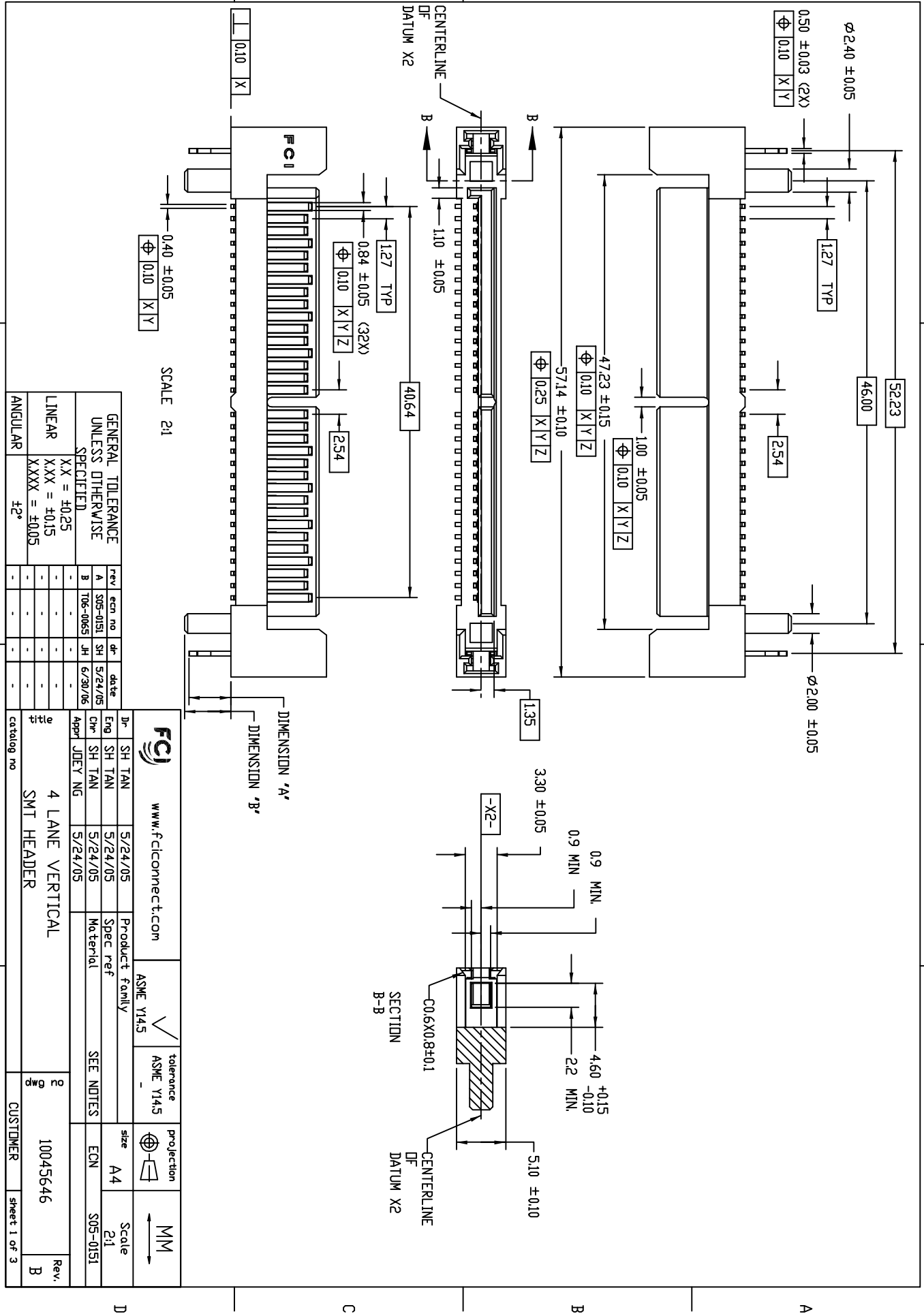
For any questions, you can email us directly:

[sales@integrated-circuit.com](mailto:sales@integrated-circuit.com)

All rights strictly reserved. Reproduction or issue to third parties in any form whatever is not permitted without written authority from the proprietor. Property of FCI. Copyright FCI.



Tous droits strictement reserves. Reproduction ou communication a des tiers interdite sous quelque forme que ce soit sans autorisation ecrite du proprietaire. Propriete de c FCI. Droits de reproduction FCI.



SCALE 2:1

GENERAL TOLERANCE UNLESS OTHERWISE SPECIFIED	rev	ecm no	dr	date
XX = ±0.25	A	S05-01S1	SH	5/24/05
XXX = ±0.15	B	T06-0065	JH	6/30/06
XXXX = ±0.05	-	-	-	-
ANGULAR ±2°	-	-	-	-

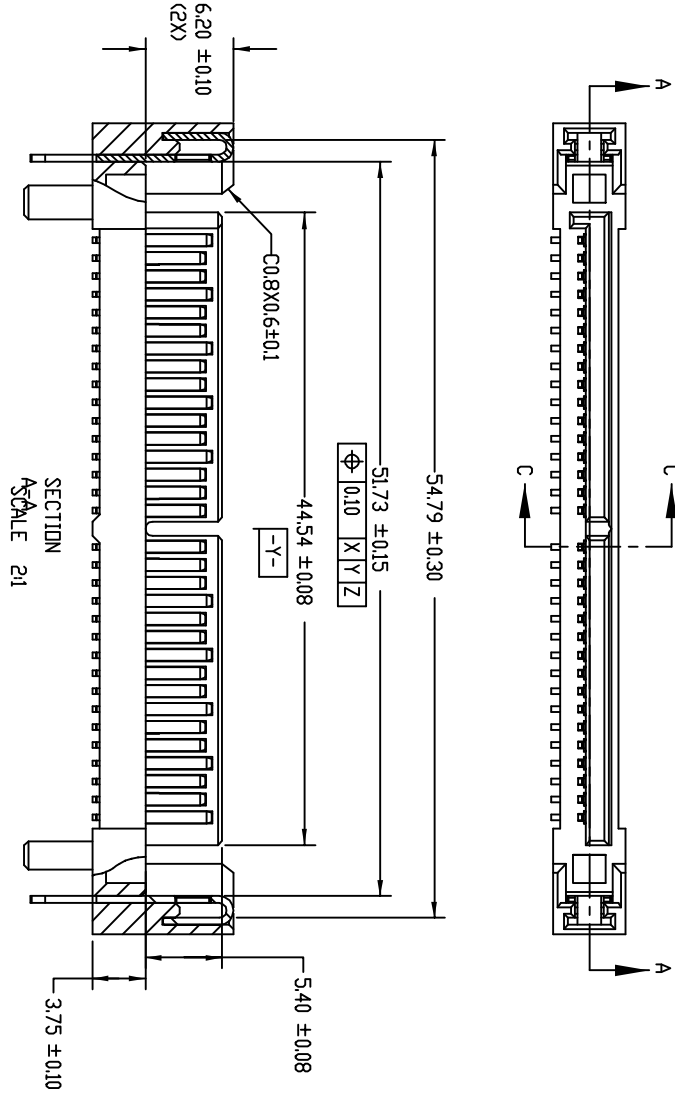
FCI	www.fciconnect.com	ASME Y14.5	tolerance ASME Y14.5	projection	Scale 2:1
Dir	SH TAN	5/24/05	Product family	Product ref	Scale 2:1
Eng	SH TAN	5/24/05	Spec ref	Material	Scale 2:1
Ckr	SH TAN	5/24/05	SEE NOTES	ECN	Scale 2:1
Appr	JIEY NG	5/24/05			Scale 2:1

4 LANE VERTICAL SMT HEADER	Rev. B
CUSTOMER	10045646
sheet 1 of 3	Rev. B

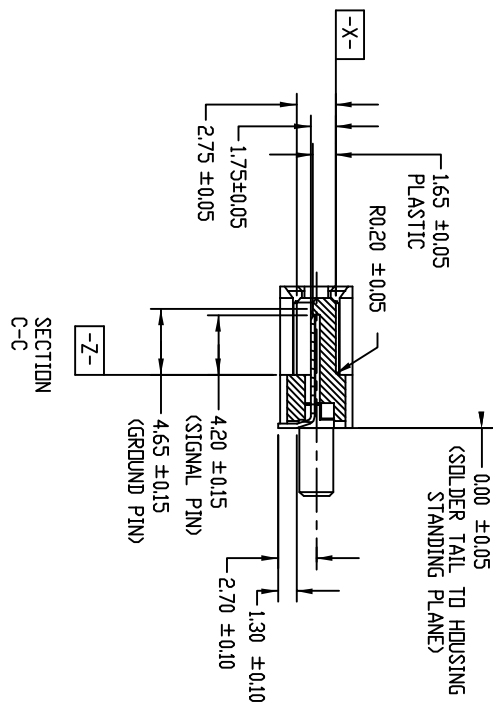
All rights strictly reserved. Reproduction or issue to third parties in any form whatever is not permitted without written authority from the proprietor.  
 Property of FCI. Copyright FCI.



Tous droits strictement reserves. Reproduction ou communication a des tiers interdite sous quelque forme que ce soit sans autorisation ecrite du proprietaire.  
 Propriete de c FCI. Droits de reproduction FCI.



SECTION A-A  
SCALE 2:1



SECTION C-C

title	4 LANE VERTICAL SMT HEADER	dwg no	10045646	Rev.	B
catalog no		CUSTOMER		sheet 2 of 3	

1

2

3

4

1

2

3

4

D

C

B

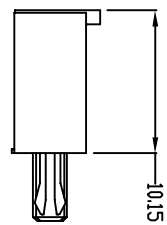
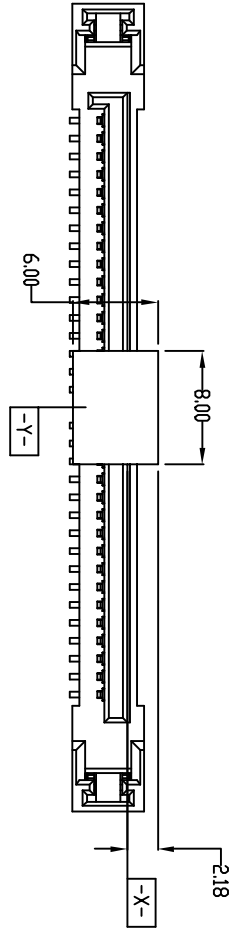
A

All rights strictly reserved. Reproduction or issue to third parties in any form whatever is not permitted without written authority from the proprietor. Property of FCI. Copyright FCI.



Tous droits strictement reserves. Reproduction ou communication a des tiers interdite sous quelque forme que ce soit sans autorisation ecrite du propriétaire. Propriete de c FCI. Droits de reproduction FCI.

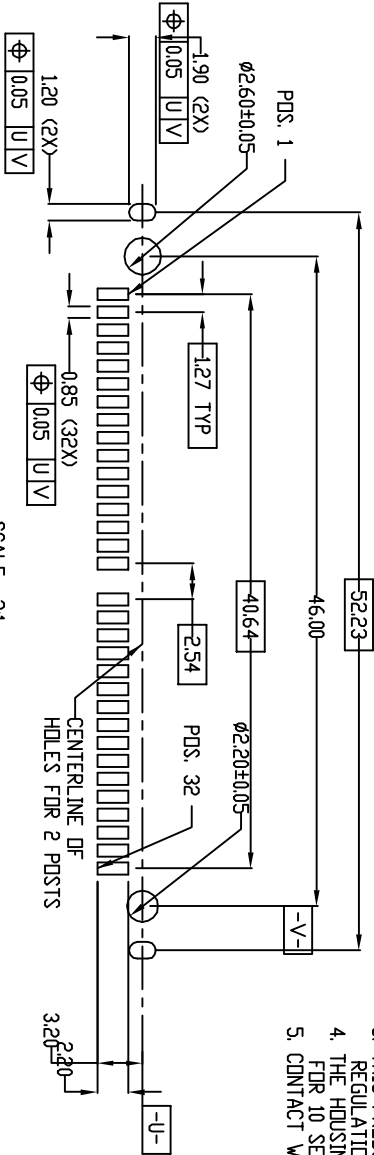
PRODUCT NO.	PCB THICKNESS	DIMENSION 'A'	DIMENSION 'B'	PACKAGING
10045646-001TRLF	1.57±0.10	2.75±0.20	3.20±0.10	TAPE & REEL
10045646-002TRLF	3.18±0.10	4.35±0.20	4.80±0.10	TAPE & REEL
10045646-003TRLF	1.57±0.10	2.75±0.20	1.55±0.10	TAPE & REEL
10045646-001LF	1.57±0.10	2.75±0.20	3.20±0.10	TRAY
10045646-002LF	3.18±0.10	4.35±0.20	4.80±0.10	TRAY
10045646-003LF	1.57±0.10	2.75±0.20	1.55±0.10	TRAY



WITH PICK-UP CAP ATTACHED  
SCALE 2:1

NOTES

- MATERIAL: HOUSING: HIGH TEMPERATURE PLASTIC, BLACK COLOR, UL94V-0 CONTACT: COPPER ALLOY HOLD DOWN: COPPER ALLOY
- FINISH: 1.27µm MIN NICKEL UNDERPLATE OVERALL, 191µm MIN TIN (LEAD-FREE) ON SOLDER TAIL, 0.76µm MIN GOLD IN CONTACT AREA
- THIS PRODUCT MEETS EUROPEAN UNION DIRECTIVES AND OTHER COUNTRY REGULATIONS AS DESCRIBED IN GS-22-008
- THE HOUSING WILL WITHSTAND EXPOSURE TO 260°C PEAK TEMPERATURE FOR 10 SECONDS IN A CONVECTION, INFRARED OR VAPOR PHASE REFLOW OVEN
- CONTACT WIPE: 2.07 MIN FIBR SIGNAL AND 2.52 MIN FIBR GROUND



RECOMMENDED PCB LAYOUT  
(ALL TOLERANCES ARE ±0.05)

SCALE 2:1

catalog no	4 LANE VERTICAL SMT HEADER	Rev.	B
part no	10045646	sheet 3 of 3	