

## Excellent Integrated System Limited

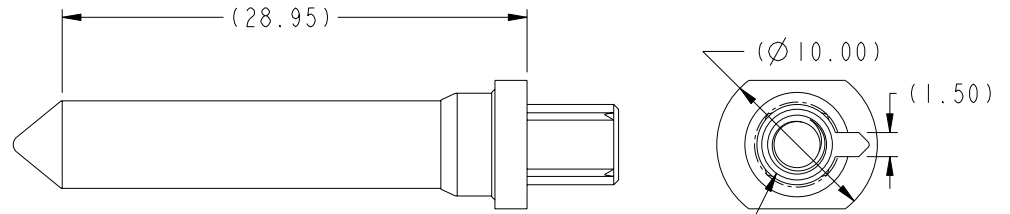
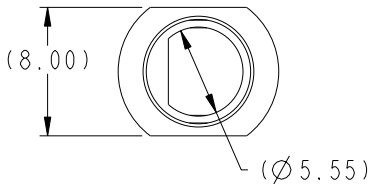
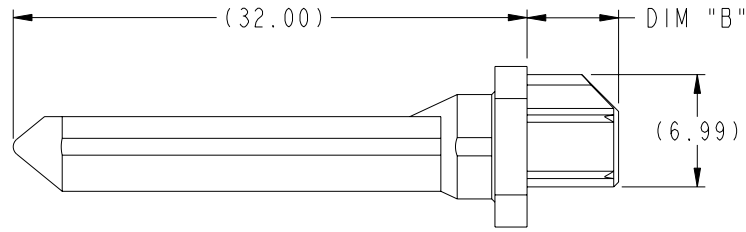
Stocking Distributor

Click to view price, real time Inventory, Delivery & Lifecycle Information:

[FCI](#)  
[10037911-101LF](#)

For any questions, you can email us directly:  
[sales@integrated-circuit.com](mailto:sales@integrated-circuit.com)

PRODUCT NUMBER  
SEE TABLE, SHT 3



M3.5 X 0.6-6H  
SEE TABLE DIM "D"  
FOR THREAD DEPTH

Copyright FCI.

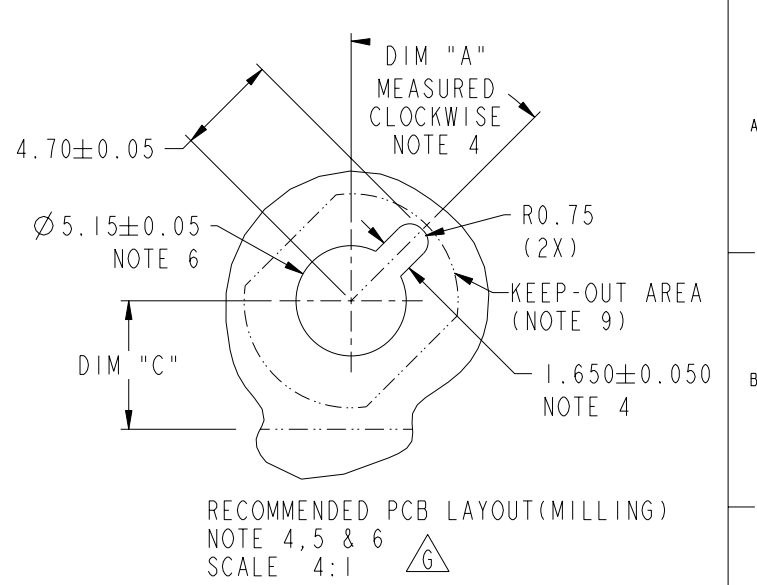
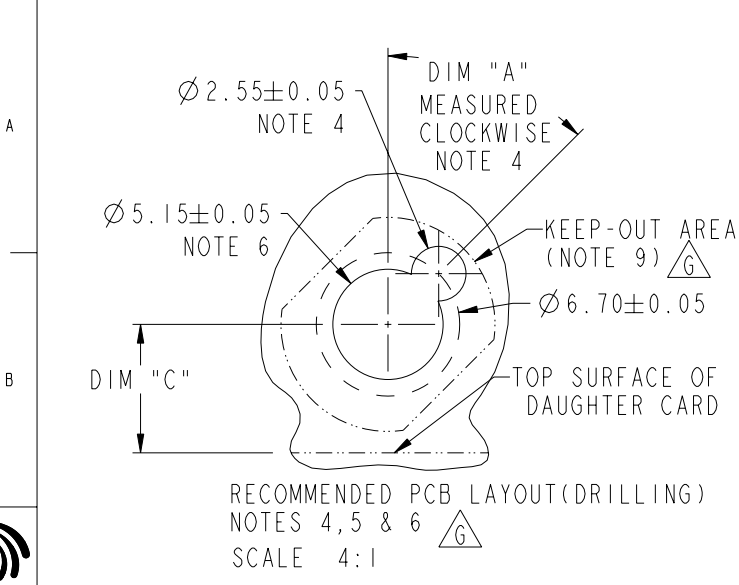
www.fciconnect.com				surface 3.200 ASME Y14.5	tolerance std ASME Y14.5	projection MM	MM	
TOLERANCES UNLESS OTHERWISE SPECIFIED				ANGULAR	LINEAR	size A4	Scale 3:1	
				0.X	±0.3			
				0.XX	±0.10			
				0.XXX	±0.05	ECN	***	
				0"	±2"	Spec ref	-	
rev	ech no	dr	date	Dr	A. RAISTRICK 2004-08-03			
A	V05-0103	AR	2005-01-27	Eng	B. MARSHALL 2004-08-03			
B	V05-0228	AR	2005-03-11	Chr	C. H. TAN 2008-05-05			
C	V05-0241	AR	2005-03-15	Appr	JOEY NG 2008-05-05			
D	V05-0262	AR	2005-03-29	Product Affair/Marketing Accessories				
E	S05-0237	CH	2005-08-23	FCI 10.8mm GUIDE PIN,				10037911
F	S06-0045	CH	2006-01-25	INTERNAL THREAD				Rev. G
G	S08-0112	CH	2008-04-14	catalog no				CUSTOMER sheet 1 of 3

REV F - 2006-04-14

PDM: Rev:G

STATUS: Released

Printed: Dec 01, 2010



10.8 MM RECEPTACLE GUIDE MODULE NOTE 4	DIM "A"
10037912-1X1LF	0°
10037912-1X2LF	45°
10037912-1X3LF	90°
10037912-1X4LF	135°
10037912-1X5LF	180°
10037912-1X6LF	225°
10037912-1X7LF	270°
10037912-1X8LF	315°

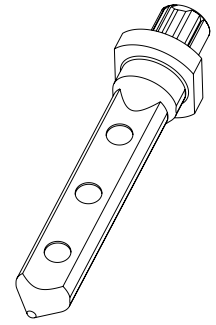
<b>FCI</b>	title	10.8mm GUIDE PIN, INTERNAL THREAD	dag no	10037911	Rev.	G
	catalog no	-	CUSTOMER	sheet 2 of 3		



Copyright FCI.

REV F - 2004-04-17

PRODUCT NUMBER	DIM "B"	DIM "C" 4/5 PAIR	DIM "C" 2/3 PAIR	DIM "D"
10037911-101LF	5.70	6.00	4.50	6.60
10037911-102LF	2.75	6.00	4.50	4.10
10037911-103LF	3.20	6.00	4.50	4.10
10037911-104LF	2.40	6.00	4.50	4.10



1. MATERIAL: ZINC ALLOY
2. FINISH: ZINC YELLOW CHROMATE
3. APPLICATION SPECIFICATION: GS-20-045
- ④ KEY HOLE ORIENTATION (DIM "A") WILL BE DEFINED BY THE MATING RECEPTACLE GUIDE MODULE PART NUMBER - SEE TABLE (ORIENTATION SHOWN IS FOR 10037912-1X2LF)
- ⑤ REFER TO CUSTOMER DRAWING 10035911 FOR INFORMATION REGARDING PCB LAYOUT OF POWER AND GUIDE MODULES RELATIVE TO SIGNAL MODULES
- ⑥ THRU HOLE PLATING AND ANNULAR RINGS MUST BE ADDED IN APPLICATIONS THAT USE THE ESD GROUNDING OPTION FINISHED HOLE SIZE IS THE SAME REGARDLESS OF PLATED BARREL OR NOT.
7. THIS PRODUCT MEETS EUROPEAN UNION DIRECTIVES AND OTHER COUNTRY REGULATIONS AS DESCRIBED IN GS-22-008.
8. PACKAGING MEETS GS-14-920 LEAD FREE LABELING SPECIFICATION.
- ⑨ KEEP OUT ZONE MATCH PROFILE OF SEATED GUIDE PIN, SEE SHEET 1 FOR REFERENCE DIMENSIONS OF GUIDE PIN OUTLINE.
- ⑩ A  $\triangle G$  SYMBOL WILL BE NEXT TO ANY DIMENSION, VIEW OR NOTE WHICH HAS BEEN MODIFIED WITH THE CURRENT DRAWING REVISION.



Copyright FCI.

<b>FCI</b>	title	10.8mm GUIDE PIN, INTERNAL THREAD	desig no	10037911	Rev.	G
	catalog no	-	CUSTOMER	sheet 3 of 3		

REV F - 2006-04-11