

Excellent Integrated System Limited

Stocking Distributor

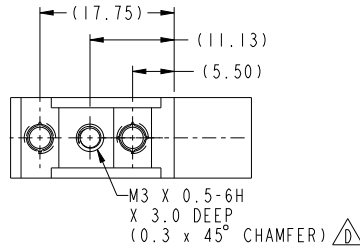
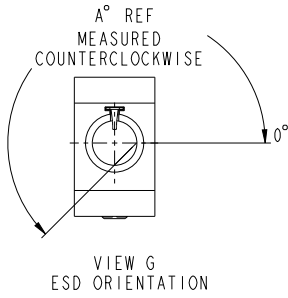
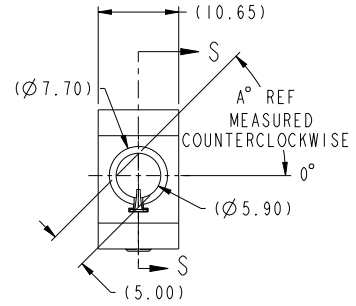
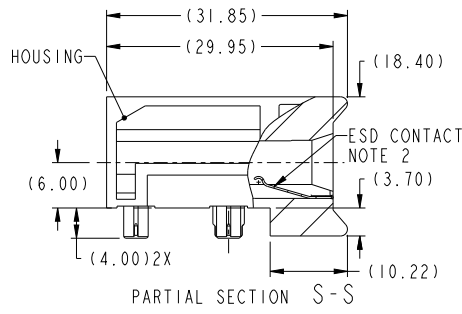
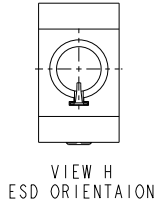
Click to view price, real time Inventory, Delivery & Lifecycle Information:

[FCI](#)
[10037912-101LF](#)

For any questions, you can email us directly:

sales@integrated-circuit.com

PRODUCT NUMBER
SEE TABLE, SHT 2



Copyright FCI.

spec ref	dr	Chen-Hong Tan	20050817	projection	MM	size	A3	scale	1:1	
tolerance std	eng	Yong-Kuei Lin	20111004			ecn no	Released			
ASME Y14.5	chr	-	-			rel level	Released			
	appr	Chen-Hong Tan	20111007	product fami	VirMax Accessories					
surface	linear			title	10.8mm GUIDE MODULE ASSY		eng no	10037912	rev	D
ASME Y14.5	angular			www.fci.com	cat. no.	-	Product - Customer Drw	sheet 1 of 3		

Print File - REV C - 2009-04-20

1

2

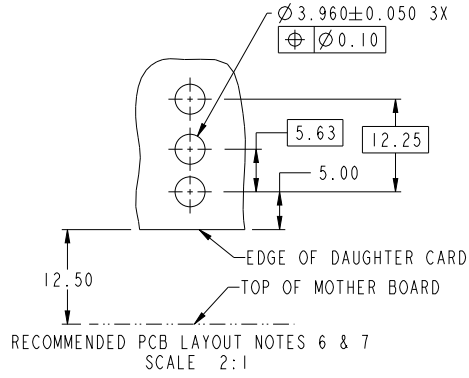
3

PDS: Rev-D

STATUS: Released

Printed: Oct 07, 2011

PRODUCT NUMBER NOTES 4 & 8	DIM A	ESD PIN LOCATION
I0037912-1X1LF	0°	PER VIEW F
I0037912-1X2LF	45°	PER VIEW F
I0037912-1X3LF	90°	PER VIEW F
I0037912-1X4LF	135°	PER VIEW G
I0037912-1X5LF	180°	PER VIEW G
I0037912-1X6LF	225°	PER VIEW G
I0037912-1X7LF	270°	PER VIEW G
I0037912-1X8LF	315°	PER VIEW F
I0037912-1X9LF	N/A NOTE 5	PER VIEW H



spec ref	dr	Chen-Hong Tan	20050917	projection	MM	size	A3	scale	1:1	
tolerance std	eng	Yong-Kuei Lin	20110204			ecn no	ELX-S-000144-1	rel level	Released	
ASME Y14.5	chr	-	-							
	appr	Chen-Hong Tan	201110107	product fami		VirMax Accessories				
surface	linear			10.8mm GUIDE MODULE ASSY WITH ESD & KEYING OPTIONS		eng no	10037912	rev	D	
ASME Y14.5	0.X									±.3
	0.XX									±.10
	angular	0°	±2°	www.fci.com		cat. no.	Product - Customer Drw		sheet 2 of 3	

- ① MATERIAL: ZINC ALLOY
- ② FINISH: HOUSING; ZINC YELLOW CHROMATE
ESD CONTACT; 1.27um MINIMUM NICKEL ALL OVER
- 3. APPLICATION SPEC: GS-20-045
- ④ X = 0 FOR MODULES WITH ESD GROUNDING OPTION
X = 1 FOR MODULES W/O ESD GROUNDING OPTION
- ⑤ FOR THE -109LF VERSION (NO KEY) THE MATING GUIDE PIN MUST BE ORIENTATED SO IT MAKES CONTACT WITH THE ESD PIN
- ⑥ THRU HOLE PLATING AND ANNULAR RINGS MUST BE ADDED AS APPROPRIATE FOR APPLICATIONS WITH THE ESD GROUNDING OPTION.
FINISHED HOLE SIZE IS THE SAME REGARDLESS OF PLATED BARREL OR NOT
- ⑦ REFER TO CUSTOMER DRAWING 10035911 FOR INFORMATION REGARDING PCB LAYOUT OF POWER AND GUIDE MODULES RELATIVE TO SIGNAL MODULES
- ⑧ EQUIVALENT PRODUCTS SHOWN ON CUSTOMER DRAWING 10025408 MAY BE SUBSTITUTED PRIOR TO TOOLING COMPLETION
- 9. THIS PRODUCT MEETS EUROPEAN UNION DIRECTIVES AND OTHER COUNTRY REGULATIONS AS DESCRIBED IN GS-22-008.
- 10. PACKAGING MEETS GS-14-920 LEAD FREE LABELING SPECIFICATION.
- 11. A \triangle SYMBOL WILL BE NEXT TO ANY DIMENSION, VIEW, OR NOTE WHICH HAS BEEN MODIFIED WITH THE CURRENT DRAWING REVISION.



Copyright FCI.

spec ref	tolerance std		TOLERANCES UNLESS OTHERWISE SPECIFIED		dr	20050917	projection	MM	size	A3	scale	1:1
ASME Y14.5	-				eng	20110106		← →	ecn no	Released		
					chr				rel level			
surface	3, 2	linear	0.X	±.3	appr	20111007	product fami	VirMax Accessories	eng no	10037912	rev	D
ASME Y14.5		angular	0°	±2°	www.fci.com		cat. no.	-	Product - Customer Drw	sheet 3 of 3		

Prod File - REV C - 2009-04-09

1

2

3

PDS: Rev D

STATUS: Released

Printed: Oct 07, 2011