

Excellent Integrated System Limited

Stocking Distributor

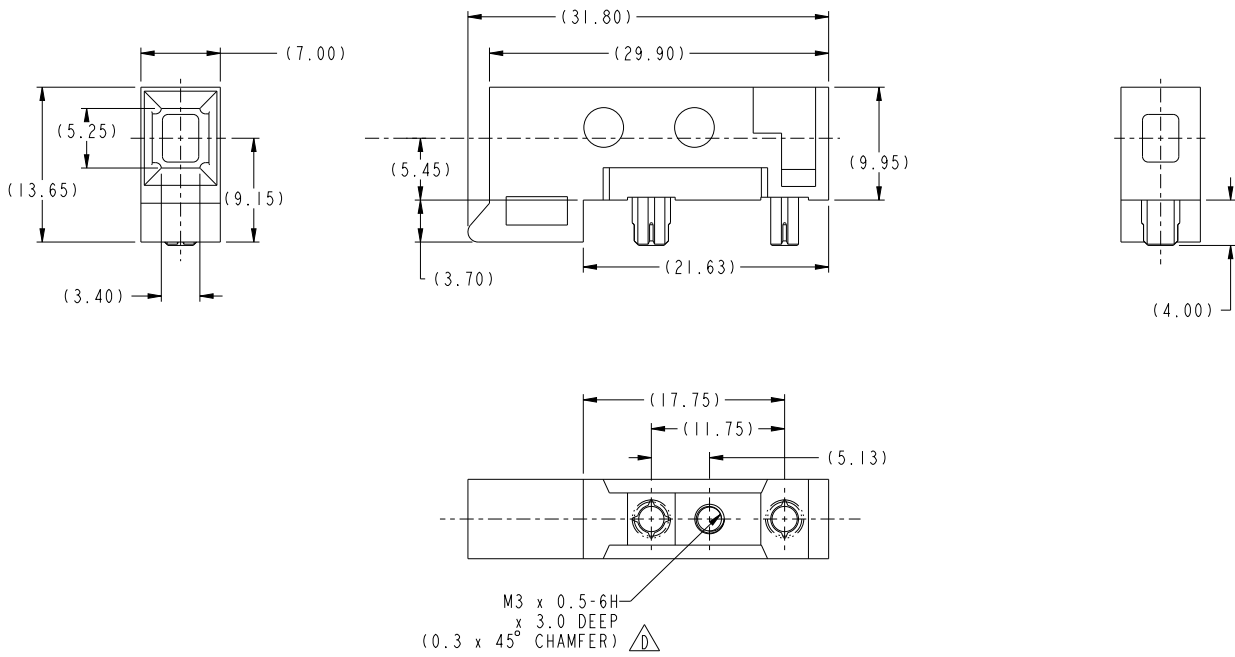
Click to view price, real time Inventory, Delivery & Lifecycle Information:

[FCI](#)
[10045367-101LF](#)

For any questions, you can email us directly:

sales@integrated-circuit.com

PRODUCT NUMBER
SEE TABLE, SHT 2



Copyright FCI

spec ref	-	dr	Chen-Hong Tan	20050817	projection	MM	size	A3	scale	3:1
tolerance std	ASME Y14.5	eng	Yong-Kuei Lin	20111004			ecp no	ELX-S-000144-1	rel level	Released
TOLERANCES UNLESS OTHERWISE SPECIFIED		chr	-	-			product family	AirMax ACCESSORIES	rel level	Released
surface	linear	0.X	±0.3		title	7.2MM R/A GUIDE SOCKET	eng no	10045367	rev	D
		0.XX	±0.10		www.fci.com	cat. no.	-	Product - Customer Drw	sheet 1 of 2	
	angular	0°	±2°							

Prod File - REV C - 2009-04-20

1

2

3

PDS: Rev-D

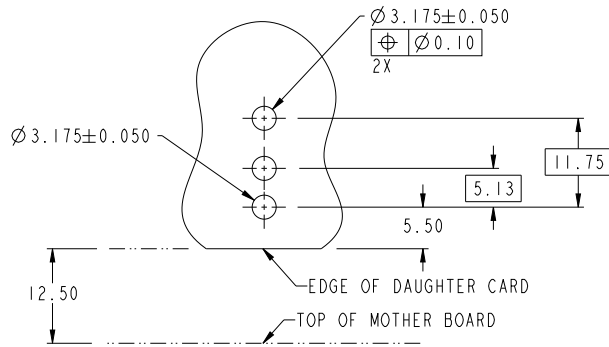
STATUS: Released

Printed: Oct 07, 2011

PRODUCT NUMBER
10045367-101LF

NOTES:

- ① MATERIAL: ZINC ALLOY.
- ② FINISH: TRIVALENT CHROMATE IRIDESCENT
- ③ APPLICATION SPECIFICATION: GS-20-045.
- ④ REFER TO CUSTOMER DRAWING 10035911 FOR INFORMATION REGARDING PCB LAYOUT OF POWER AND GUIDE MODULES RELATIVE TO SIGNAL MODULES.
- 5 THIS PRODUCT MEETS EUROPEAN UNION DIRECTIVES AND OTHER COUNTRY REGULATIONS AS DESCRIBED IN GS-22-008.
- 6 PACKAGING MEETS GS-14-920 LEAD FREE LABELING SPECIFICATION.
- 7 A \triangle SYMBOL WILL BE NEXT TO ANY DIMENSION, VIEW OR NOTE WHICH HAS BEEN MODIFIED WITH THE CURRENT DRAWING REVISION.



RECOMMENDED PCB LAYOUT
NOTE 4
SCALE: 2:1



Copyright FCI.

spec ref	-	dr	Chen-Hong Tan	20050817	projection	MM	size	A3	scale	1:1
tolerance std	ASME Y14.5	eng	Yong-Kuei Lin	20117006			ecn no	ELX-S-000144-1	rel level	Released
TOLERANCES UNLESS OTHERWISE SPECIFIED		chr	-	appr						
surface	linear	0.X	±0.3		FCI www.fci.com	title 7.2MM R/A GUIDE SOCKET 2/3 PAIR	dwg no 10045367	rev D	Product - Customer Drw	
	linear	0.XX	±0.10							
	linear	0.XXX	±0.050							
	angular	0°	±2°	cat. no.	-	Product - Customer Drw	sheet 2 of 2			

Prod File - REV C - 2009-04-20

1

2

3

PDS: Rev D

STATUS: Released

Printed: Oct 07, 2011