

Excellent Integrated System Limited

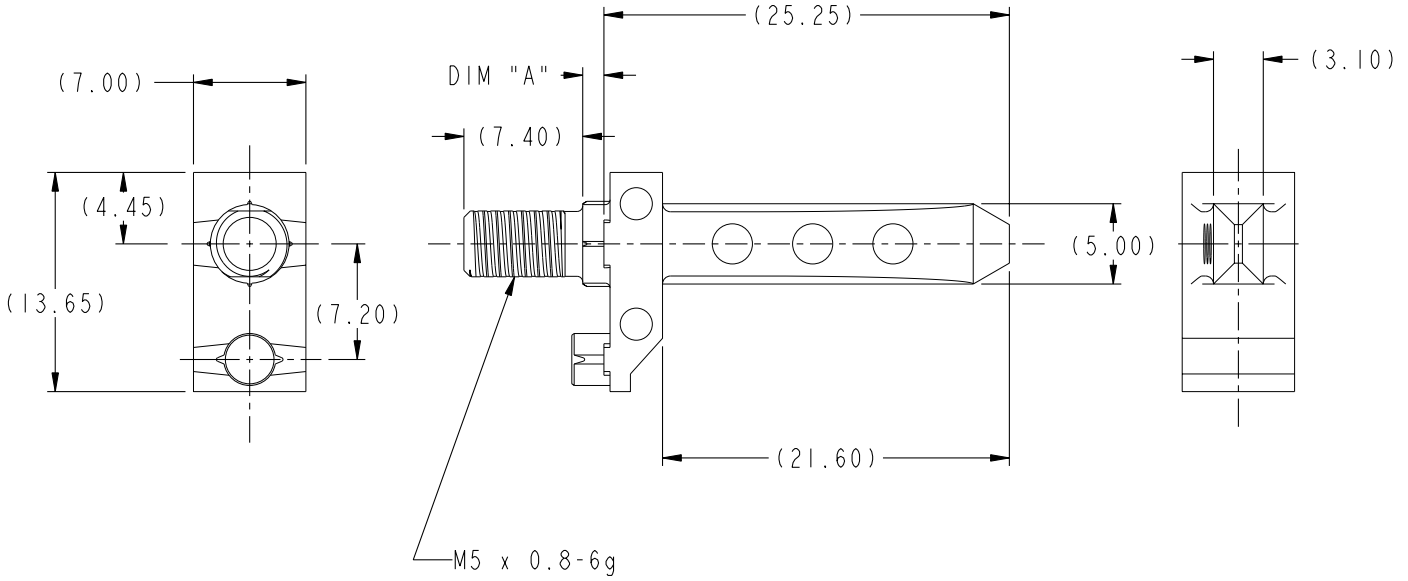
Stocking Distributor

Click to view price, real time Inventory, Delivery & Lifecycle Information:

[FCI](#)
[10045368-101LF](#)

For any questions, you can email us directly:
sales@integrated-circuit.com

PRODUCT NUMBER
SEE TABLE, SHT 2



Tous droits strictement réservés. Reproduction ou communication de cet avis interne sans autorisation écrite de FCI. Propriété de FCI. Droits de reproduction FCI.



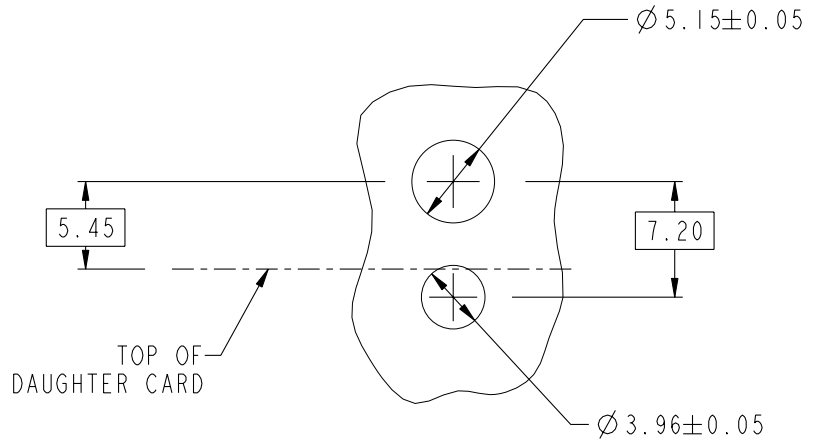
All rights strictly reserved. Reproduction or issue to third parties in any form without the prior written consent of FCI. Property of FCI. Copyright FCI.

www.fciconnect.com		surface <input checked="" type="checkbox"/> ASME Y14.5	tolerance <input checked="" type="checkbox"/> ASME Y14.5	projection	MM			
Dr	T.HOUTZ	1/24/05	Product family	AirMax ACCESSORIES	size	A4	Scale	3:1
Eng	H.NGO	1/24/05	Spec ref	-	ECN	-	-	-
Chr	H.NGO	1/24/05	Material	SEE NOTES	-	-	-	-
Appr	H.NGO	1/24/05	-	-	-	-	-	-
title 7.2mm VERTICAL GUIDE PIN 2/3 PR, 25.25mm LONG				dwg no 10045368	Rev. A			
catalog no 10045368-001				CUSTOMER	sheet 1 of 2			

rev	ech no	dr	date
A	V05-0557	-	06/07/05
-	-	-	-
-	-	-	-
-	-	-	-
-	-	-	-
-	-	-	-

Tous droits strictement réservés. Reproduction ou communication de ces notes interdite sans autorisation écrite de FCI. Propriété de FCI. Droits de reproduction FCI.

PART NUMBER	DIM "A"
10045368-101LF	1.32
10045368-102LF	2.60
10045368-103LF	4.20
10045368-104LF	5.70
10045368-105LF	7.30



NOTES:

1. MATERIAL: ZINC ALLOY.
2. FINISH: CHROMATE.
- ③ REFER TO CUSTOMER DRAWING 10035911 FOR INFORMATION REGARDING PCB LAYOUT OF POWER AND GUIDE MODULES RELATIVE TO SIGNAL MODULES.
- 4 THIS PRODUCT MEETS EUROPEAN UNION DIRECTIVES AND OTHER COUNTRY REGULATIONS AS DESCRIBED IN GS-22-008.
- 5 PACKAGING MEETS GS-14-920 LEAD FREE LABELING SPECIFICATION.

SEE NOTE 3
SCALE 3:1

FCI

All rights strictly reserved. Reproduction or issue to third parties in any form without the prior written authorization of FCI. Property of FCI. Copyright FCI.

title	7.2mm VERTICAL GUIDE PIN 2/3 PR, 25.25mm LONG	des no	10045368	Rev.	A
catalog no	10045368-001	CUSTOMER	sheet 2 of 2		

PDM: Rev:A

STATUS: **Released**

⁴Printed: Dec 01, 2010