

## **Excellent Integrated System Limited**

Stocking Distributor

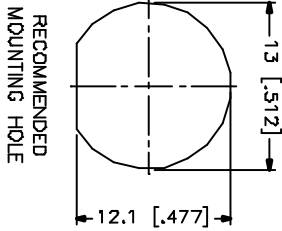
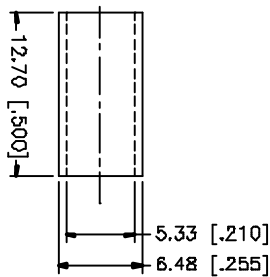
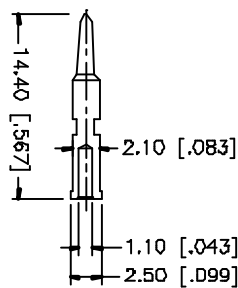
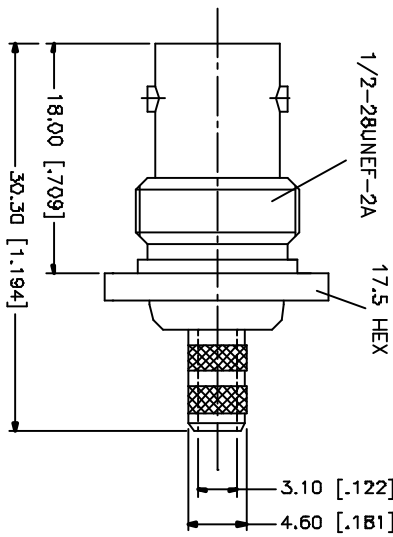
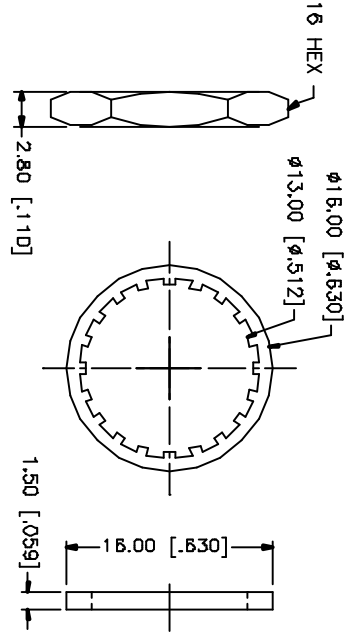
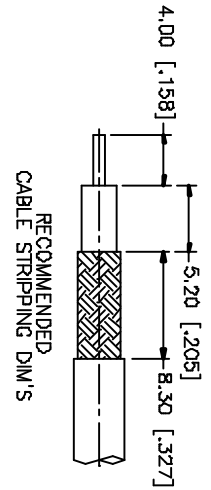
Click to view price, real time Inventory, Delivery & Lifecycle Information:

[Amphenol RF](#)  
[112202RP](#)

For any questions, you can email us directly:

[sales@integrated-circuit.com](mailto:sales@integrated-circuit.com)

REV.	DATE	DESCRIPTION
A	11/27/02	MODIFY CONTACT PIN I.D. TO 1.1mm
B	08/15/04	REFORMAT DRAWING



- CRIMP NOTES:
1. CRIMPED FERRULE  
HEX CRIMP SIZE .215"
  2. CRIMPED CONTACT PIN  
HEX CRIMP SIZE .068"
  3. MAX. PANEL THICKNESS = 3.5mm

9																			
8	FERRULE	COPPER	NICKEL	1															
7	HEX NUT	BRASS	NICKEL	1															
6	LOCK WASHER	BRASS	NICKEL	1															
5	GASKET	RUBBER	RED	1															
4	CONTACT PIN	BRASS	COLD	1															
3	INSULATOR	TEFLON	NATURAL	1															
2	BODY	BRASS	NICKEL	1															
1	DESCRIPTION	MATERIAL	FINISH	QTY															

**Amphenol Connex**

BNC REVERSE POLARIZED BULKHEAD  
 CRIMP JACK (FOR RG58/U CABLE)

112202RP

DWG. NO. 112202RP.DWG REV. NC SIZE A SCALE NA

APPROVALS	DATE
G.R.S.	08/15/04
CHECKED	
ISSUED	
SHEET	1 OF 1

UNLESS OTHERWISE SPECIFIED DIMENSIONS ARE IN MILLIMETERS DIMENSIONS IN [ ] ARE IN INCHES AND THE DECIMAL FRACTION SHALL FOLLOW THE DECIMAL POINT  
 UNLESS OTHERWISE SPECIFIED TOLERANCES PER MILLIMETER ARE:  
 A - 30mm ± 0.20mm  
 B - 30mm ± 0.40mm  
 C - 120mm ± 0.50mm  
 UNLESS OTHERWISE SPECIFIED TOLERANCES PER INCH ARE:  
 .020 - .315 = ± 0.007"  
 .315 - 1.180 = ± 0.015"  
 1.180 - 4.724 = ± 0.020"

DO NOT SCALE DRAWING