

Excellent Integrated System Limited

Stocking Distributor

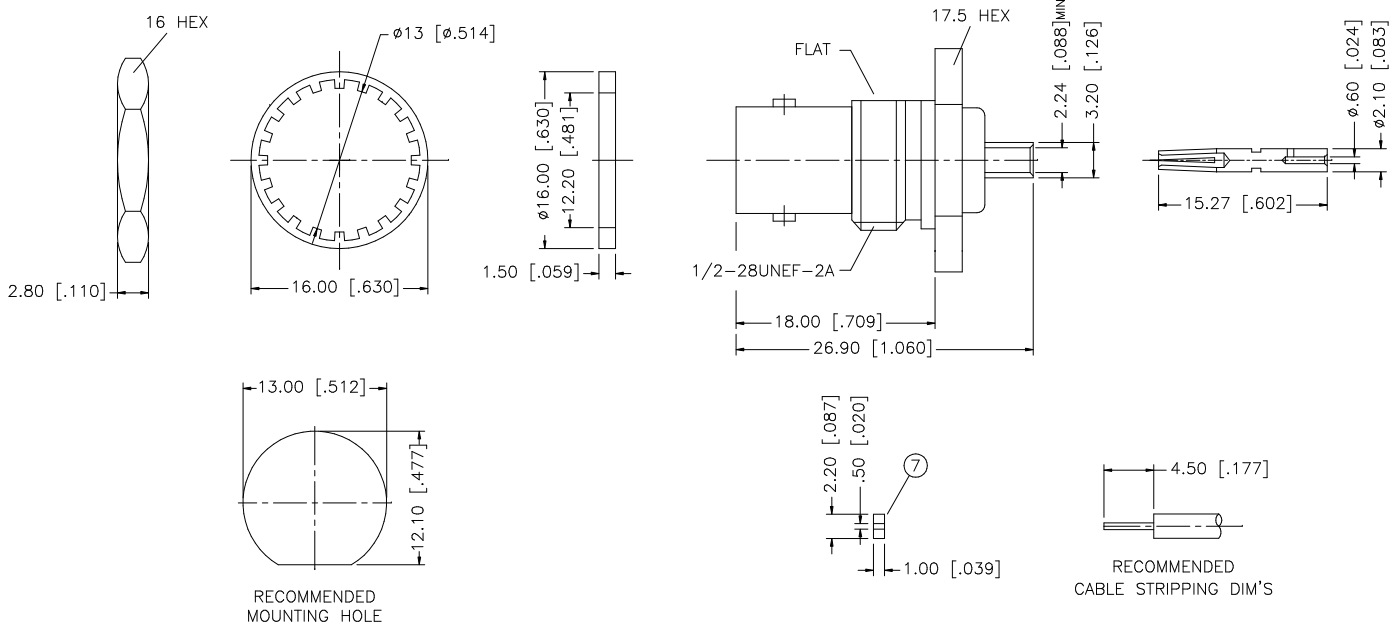
Click to view price, real time Inventory, Delivery & Lifecycle Information:

[Amphenol RF](#)
[112580](#)

For any questions, you can email us directly:

sales@integrated-circuit.com

REV.	DATE	DESCRIPTION
A	10/08/03	MODIFY PART DIMENSIONS / UPDATE DRAWING FORMAT
B	01/24/06	ADD FLAT ON BODY THREAD AREA



QTY	DESCRIPTION	MATERIAL	FINISH
8			
7	INSULATOR	TEFLON	NATURAL
6	HEX NUT	BRASS	NICKEL
5	LOCK WASHER	BRASS	NICKEL
4	GASKET	RUBBER	RED
3	CONTACT PIN	PHOS. BRONZE	GOLD
2	INSULATOR	TEFLON	NATURAL
1	BODY	BRASS	NICKEL

UNLESS OTHERWISE SPECIFIED DIMENSIONS ARE IN MILLIMETERS. DIMENSIONS IN [] ARE IN INCHES AND FOR CUSTOMER REFERENCE ONLY.

UNLESS OTHERWISE SPECIFIED TOLERANCES FOR MILLIMETERS ARE:
 0.5 - 8mm ± 0.20mm
 8 - 30mm ± 0.40mm
 30 - 120mm ± 0.50mm

UNLESS OTHERWISE SPECIFIED TOLERANCES FOR INCHES ARE:
 .020 - .315 = ± 0.007"
 .315 - 1.180 = ± 0.015"
 1.180 - 4.724 = ± 0.020"

DO NOT SCALE DRAWING

APPROVALS	DATE
DRAWN G.R.S.	01/24/06
CHECKED	
ISSUED	
SHEET 1 OF 1	
CAD FILE	C:/112/112580.DWG

PART DESCRIPTION
Amphenol Connex
BNC BULKHEAD DIRECT SOLDER JACK (FOR .085", .086" CABLE)
PART NO. 112580
DWG. NO. 112580.DWG
REV. B
SIZE A
SCALE NA