

## Excellent Integrated System Limited

Stocking Distributor

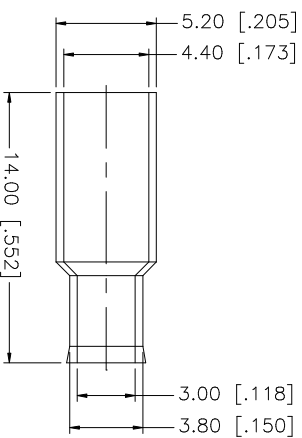
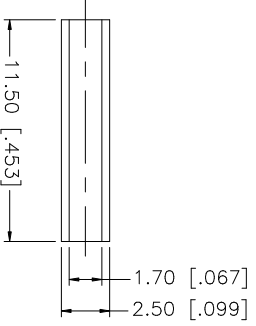
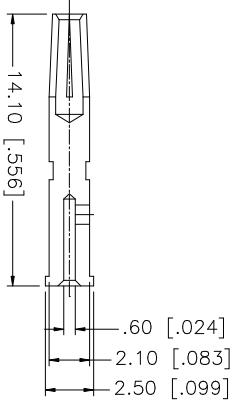
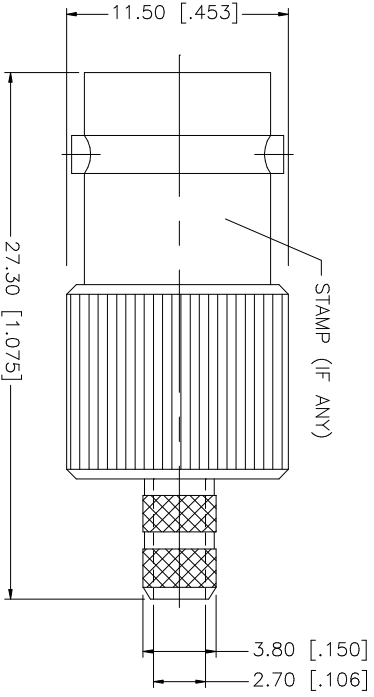
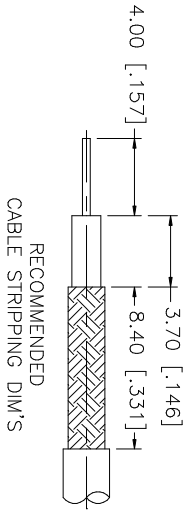
Click to view price, real time Inventory, Delivery & Lifecycle Information:

[Amphenol RF](#)  
[112160](#)

For any questions, you can email us directly:

[sales@integrated-circuit.com](mailto:sales@integrated-circuit.com)

REV.	DATE	DESCRIPTION
B	04/04/03	UPDATE DRAWING FORMAT



- CRIMP NOTES:
1. CRIMPED FERRULE  
HEX CRIMP SIZE .178"
  2. CRIMPED CONTACT PIN,  
HEX CRIMP SIZE .068"

NO.	DESCRIPTION	MATERIAL	FINISH	QTY	DO NOT SCALE DRAWING	APPROVALS	DATE	PART DESCRIPTION
8								<p><b>Amphenol Connex</b></p> <p>BNC CRIMP JACK (FOR RG-174/U, 188A/U, 316/U CABLE)</p> <p>112160</p>
7								
6	FERRULE	BRASS	NICKEL	1		CHECKED		
5	SLEEVE	DELRIIN	NATURAL	1		ISSUED		
4	CONTACT PIN	PHOS. BRONZE	GOLD	1		SHEET	1 OF 1	
3	INSULATOR	DELRIIN	NATURAL	1				
2	HOUSING/BODY	BRASS	NICKEL	1				
1	DESCRIPTION							

UNLESS OTHERWISE SPECIFIED DIMENSIONS ARE IN INCHES AND FOR CUSTOMER REFERENCE ONLY.  
 UNLESS OTHERWISE SPECIFIED TOLERANCES FOR MILLIMETERS ARE:  
 0.5 - 8mm ± 0.20mm  
 8 - 30mm ± 0.40mm  
 30 - 120mm ± 0.50mm

UNLESS OTHERWISE SPECIFIED TOLERANCES FOR INCHES ARE:  
 .020 - .315 = ± 0.007"  
 .315 - 1.180 = ± 0.015"  
 1.180 - 4.724 = ± 0.020"

DO NOT SCALE DRAWING

CAD FILE C:/112/112160.DWG

DWG. NO. 112160.DWG

REV. B

SIZE A

SCALE NA