

Excellent Integrated System Limited

Stocking Distributor

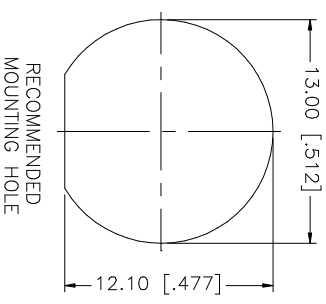
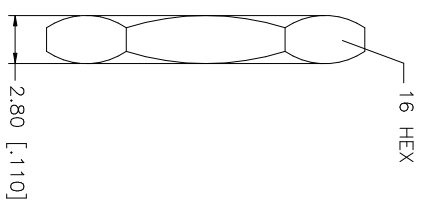
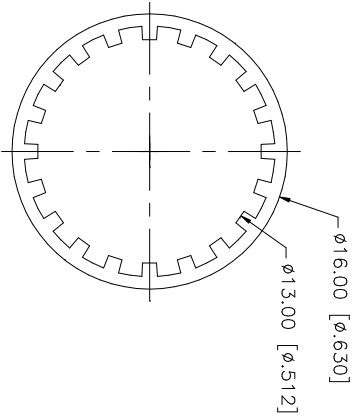
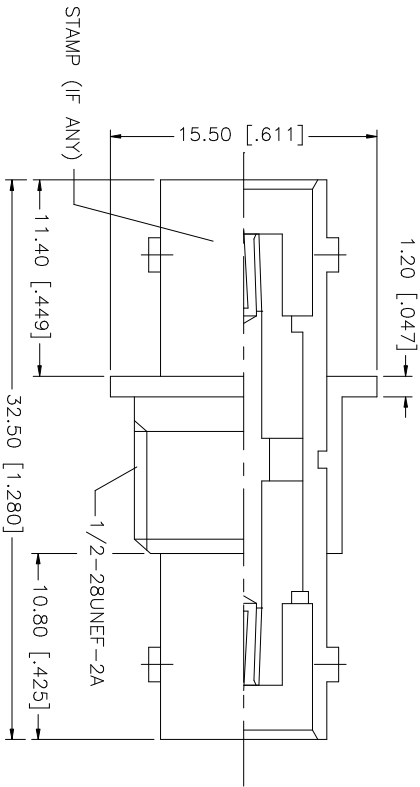
Click to view price, real time Inventory, Delivery & Lifecycle Information:

[Amphenol RF](#)
[112444](#)

For any questions, you can email us directly:

sales@integrated-circuit.com

| REV. | DATE | DESCRIPTION |
|------|----------|-----------------|
| NC | 01/14/03 | INITIAL RELEASE |



NOTE:
 1. MAX. PANEL THICKNESS = 5.5mm

| QTY | FINISH | MATERIAL | DESCRIPTION |
|-----|---------|--------------|-------------|
| 1 | NICKEL | BRASS | HEX NUT |
| 1 | NICKEL | BRASS | LOCK WASHER |
| 1 | NICKEL | BRASS | LOCK RING |
| 1 | GOLD | PHOS. BRONZE | CONTACT PIN |
| 1 | NATURAL | DELIN | INSULATOR |
| 1 | WHITE | DELIN | INSULATOR |
| 1 | NICKEL | BRASS | BODY |

| APPROVALS | DATE |
|--------------|----------|
| DRAWN G.R.S. | 01/14/03 |
| CHECKED | |
| ISSUED | |

| DO NOT SCALE DRAWING | UNLESS OTHERWISE SPECIFIED DIMENSIONS ARE IN MILLIMETERS. DIMENSIONS IN [] ARE IN INCHES AND FOR CUSTOMER REFERENCE ONLY. |
|----------------------|--|
| | UNLESS OTHERWISE SPECIFIED TOLERANCES FOR MILLIMETERS ARE: 0.5 - 8mm ± 0.20mm 8 - 30mm ± 0.40mm 30 - 120mm ± 0.50mm |
| | UNLESS OTHERWISE SPECIFIED TOLERANCES FOR INCHES ARE: .020 - .315 = ± 0.007" .315 - 1.180 = ± 0.015" 1.180 - 4.724 = ± 0.020" |

| CAD FILE | DWG. NO. | REV. NC | SIZE | SCALE |
|-------------------|------------|---------|------|-------|
| C:/112/112444.DWG | 112444.DWG | NC | A | NA |

| PART NO. | PART DESCRIPTION |
|----------|--|
| 112444 | BNC FEMALE TO FEMALE BULKHEAD ISOLATED ADAPTER |

Amphenol Connex