

Excellent Integrated System Limited

Stocking Distributor

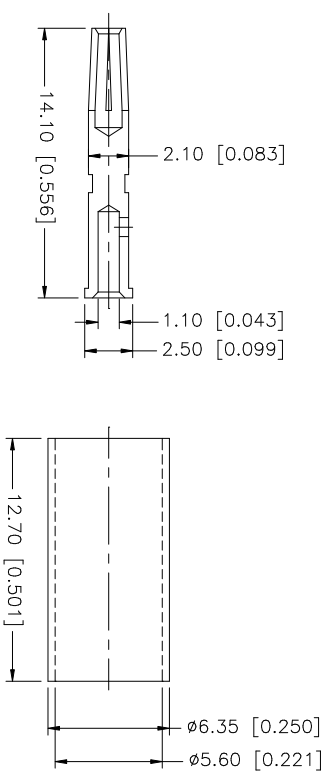
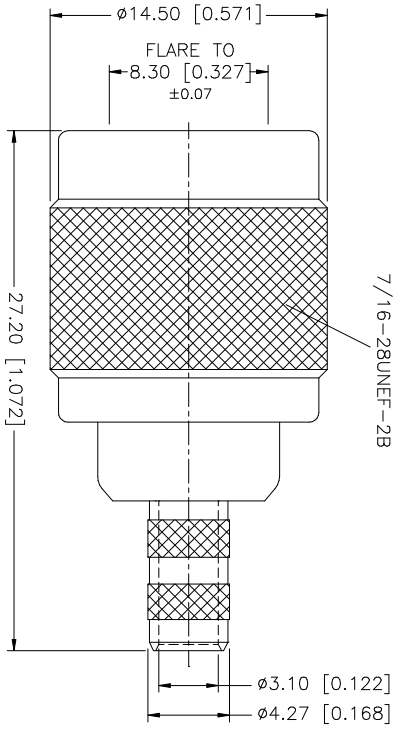
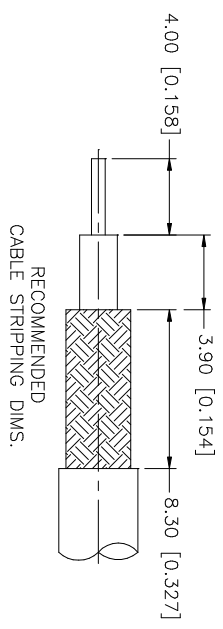
Click to view price, real time Inventory, Delivery & Lifecycle Information:

[Amphenol RF](#)
[122372RP](#)

For any questions, you can email us directly:

sales@integrated-circuit.com

REV.	DATE	DESCRIPTION
A	02/24/03	UPDATE DRAWING FORMAT



NOTE:
 1. CRIMPED FERRULE
 HEX CRIMP SIZE .312"
 2. CRIMPED CONTACT PIN
 HEX CRIMP SIZE .068"

NO.	DESCRIPTION	MATERIAL	FINISH	QTY	UNLESS OTHERWISE SPECIFIED DIMENSIONS ARE IN MILLIMETERS. DIMENSIONS IN [] ARE IN INCHES AND FOR CUSTOMER REFERENCE ONLY.	UNLESS OTHERWISE SPECIFIED TOLERANCES FOR MILLIMETERS ARE:	UNLESS OTHERWISE SPECIFIED TOLERANCES FOR INCHES ARE:	APPROVALS	DATE	PART DESCRIPTION	
8						0.5 - 8mm ± 0.20mm	.020 - .315 = ± 0.007"	DRAWN	G.R.S.	02/24/03	Amphenol Connex TNC REVERSE POLARITY CRIMP PLUG (FOR RG-55/U, 142A/U, 223/U, 400/U CABLE)
7					8 - 30mm ± 0.40mm	.315 - 1.180 = ± 0.015"	CHECKED				
6					30 - 120mm ± 0.50mm	1.180 - 4.724 = ± 0.020"	ISSUED				
5	FERRULE	COPPER	NICKEL	1			SHEET	1 OF 1			
4	INSULATOR	TEFLON	NATURAL	1							
3	CONTACT PIN	PHOS. BRONZE	GOLD	1							
2	SHELL/BODY	BRASS	NICKEL	1							
1	DESCRIPTION									DWG. NO. 122372RP.DWG REV. A SIZE A SCALE NA	

UNLESS OTHERWISE SPECIFIED DIMENSIONS ARE IN MILLIMETERS. DIMENSIONS IN [] ARE IN INCHES AND FOR CUSTOMER REFERENCE ONLY.
 UNLESS OTHERWISE SPECIFIED TOLERANCES FOR MILLIMETERS ARE:
 0.5 - 8mm ± 0.20mm
 8 - 30mm ± 0.40mm
 30 - 120mm ± 0.50mm
 UNLESS OTHERWISE SPECIFIED TOLERANCES FOR INCHES ARE:
 .020 - .315 = ± 0.007"
 .315 - 1.180 = ± 0.015"
 1.180 - 4.724 = ± 0.020"

DO NOT SCALE DRAWING
 CAD FILE C:/122/122372RP.DWG