

Excellent Integrated System Limited

Stocking Distributor

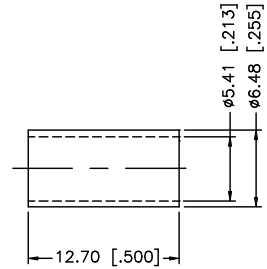
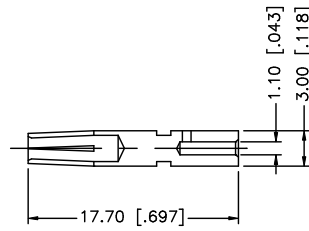
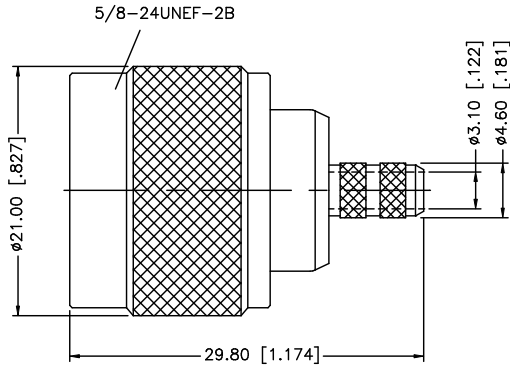
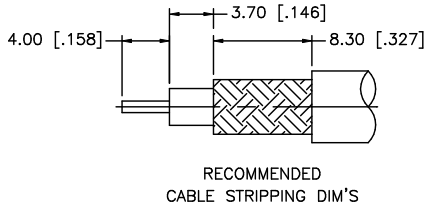
Click to view price, real time Inventory, Delivery & Lifecycle Information:

[Amphenol RF](#)
[172100RP](#)

For any questions, you can email us directly:

sales@integrated-circuit.com

REV.	DATE	DESCRIPTION
A	07/31/98	MODIFY CONTACT PIN I.D.
B	05/09/07	UPDATE DRAWING FORMAT



- NOTE:
 1. CRIMPED FERRULE HEX CRIMP SIZE .213"
 2. CRIMPED CONTACT PIN HEX CRIMP SIZE .100"

DESCRIPTION	MATERIAL	FINISH	QTY	UNLESS OTHERWISE SPECIFIED DIMENSIONS ARE IN MILLIMETERS. DIMENSIONS IN [] ARE IN INCHES AND FOR CUSTOMER REFERENCE ONLY.	APPROVALS	DATE	<h1 style="color: blue;">Amphenol Connex</h1>
8				UNLESS OTHERWISE SPECIFIED TOLERANCES FOR MILLIMETERS ARE: 0.5 - 8mm ± 0.20mm 8 - 30mm ± 0.40mm 30 - 120mm ± 0.50mm	DRAWN G.R.S.	05/09/07	
7				UNLESS OTHERWISE SPECIFIED TOLERANCES FOR INCHES ARE: .020 - .315 = ± 0.007" .315 - 1.180 = ± 0.015" 1.180 - 4.724 = ± 0.020"	CHECKED		172100RP
6				DO NOT SCALE DRAWING	ISSUED		
5					SHEET 1 OF 1		
4	FERRULE	BRASS	NICKEL	1			
3	CONTACT PIN	PHOS. BRONZE	GOLD	1			
2	INSULATOR	TEFLON	NATURAL	1			
1	HOUSING/BODY	BRASS	NICKEL	1			
					CAD FILE	C:/172/172100RP.DWG	