

Excellent Integrated System Limited

Stocking Distributor

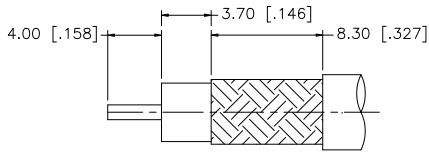
Click to view price, real time Inventory, Delivery & Lifecycle Information:

[Amphenol RF](#)
[172142](#)

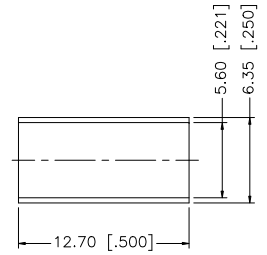
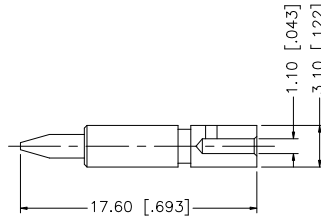
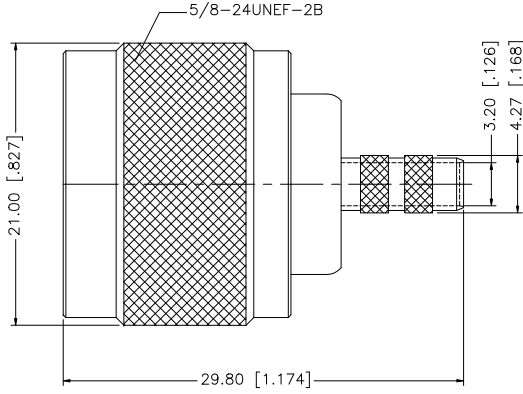
For any questions, you can email us directly:

sales@integrated-circuit.com

REV.	DATE	ECR NO.	DESCRIPTION
A	01/30/04	-	UPDATE DRAWING FORMAT
B	03/03/09	-	REVISE NOTE 2 - HEX CRIMP TO .100"



RECOMMENDED
CABLE STRIPPING DIM'S



NOTES:

1. CRIMPED FERRULE HEX CRIMP SIZE .213" [5.41]
2. CRIMPED CONTACT PIN HEX CRIMP SIZE .100" [2.54]

REV.	DESCRIPTION	MATERIAL	FINISH	QTY	APPROVALS	DATE	<h1 style="color: blue;">Amphenol Connex</h1>
8							
7							PART DESCRIPTION
6							PART NO.
5							172142
4	FERRULE	COPPER	NEXCOTE	1			
3	CONTACT PIN	BRASS	GOLD	1			
2	INSULATOR	PTFE	NATURAL	1			
1	BODY	BRASS	NEXCOTE	1			
	DESCRIPTION	MATERIAL	FINISH	QTY			

UNLESS OTHERWISE SPECIFIED DIMENSIONS ARE IN MILLIMETERS; DIMENSIONS IN [] ARE IN INCHES AND FOR CUSTOMER REFERENCE ONLY.

UNLESS OTHERWISE SPECIFIED TOLERANCES FOR MILLIMETERS ARE:
 0.5 - 8mm ± 0.20mm
 8 - 30mm ± 0.40mm
 30 - 120mm ± 0.50mm

UNLESS OTHERWISE SPECIFIED TOLERANCES FOR INCHES ARE:
 .020 - .315 = ± 0.007"
 .315 - 1.180 = ± 0.015"
 1.180 - 4.724 = ± 0.020"

DO NOT SCALE DRAWING

APPROVALS

DRAWN: GRS

CHECKED:

ISSUED:

SHEET: 1 OF 1

CAD FILE: C:/172/172142.DWG

DATE: 03/03/09

DWG. NO.: 172142.DWG

REV. B

SIZE A

SCALE NA