

## **Excellent Integrated System Limited**

Stocking Distributor

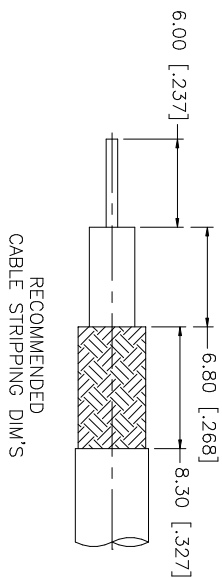
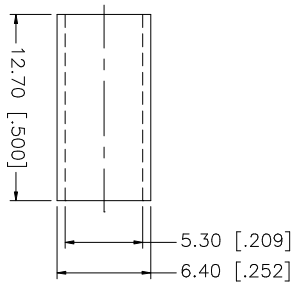
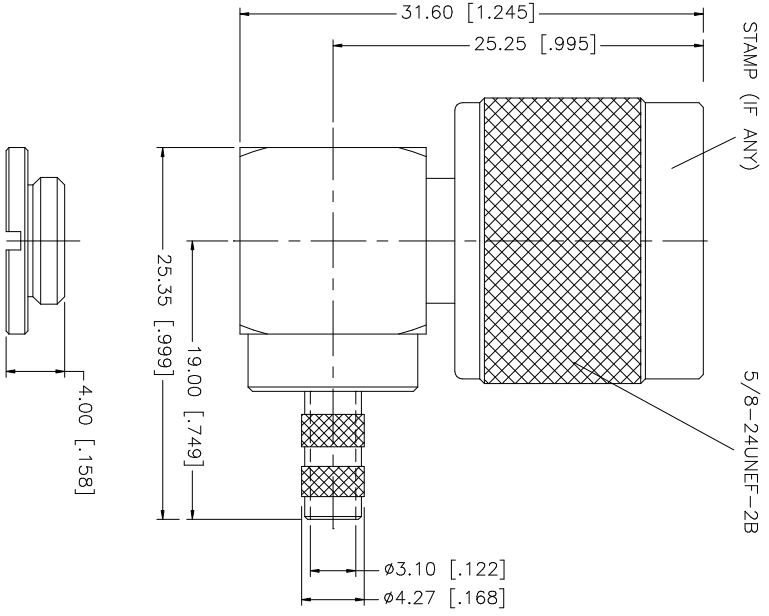
Click to view price, real time Inventory, Delivery & Lifecycle Information:

[Amphenol RF](#)  
[172177](#)

For any questions, you can email us directly:

[sales@integrated-circuit.com](mailto:sales@integrated-circuit.com)

REV.	DATE	DESCRIPTION
A	01/07/04	MODIFY BODY LENGTH / COVER / UPDATE FORMAT



- NOTE:
1. CRIMPED FERRULE  
HEX. CRIMP SIZE .213"
  2. CONTACT PIN TO SOLDER.

8																			
7																			
6																			
5	CLAMP NUT																		
4	FERRULE																		
3	CONTACT PIN																		
2	INSULATOR																		
1	BODY																		
	DESCRIPTION																		
	MATERIAL																		
	FINISH																		
	QTY																		
UNLESS OTHERWISE SPECIFIED DIMENSIONS ARE IN INCHES AND FOR CUSTOMER REFERENCE ONLY.										UNLESS OTHERWISE SPECIFIED DIMENSIONS ARE IN MILLIMETERS ARE:									
TOLERANCES FOR MILLIMETERS ARE:										TOLERANCES FOR INCHES ARE:									
0.5 - 8mm ± 0.20mm										.020 - .315 = ± 0.007"									
8 - 30mm ± 0.40mm										.315 - 1.180 = ± 0.015"									
30 - 120mm ± 0.50mm										1.180 - 4.724 = ± 0.020"									
UNLESS OTHERWISE SPECIFIED TOLERANCES FOR INCHES ARE:										UNLESS OTHERWISE SPECIFIED TOLERANCES FOR MILLIMETERS ARE:									
.020 - .315 = ± 0.007"										0.5 - 8mm ± 0.20mm									
.315 - 1.180 = ± 0.015"										8 - 30mm ± 0.40mm									
1.180 - 4.724 = ± 0.020"										30 - 120mm ± 0.50mm									
DO NOT SCALE DRAWING																			
APPROVALS					DATE					PART DESCRIPTION					PART NO.				
DRAWN G.R.S.					01/07/04					N R/A CRIMP PLUG (FOR RG-58/U, 58C/U CABLE)					172177				
CHECKED										DMG. NO.					172177.DWG				
ISSUED										REV. A					SIZE A				
SHEET 1 OF 1										SCALE NA									

**Amphenol Connex**