

Excellent Integrated System Limited

Stocking Distributor

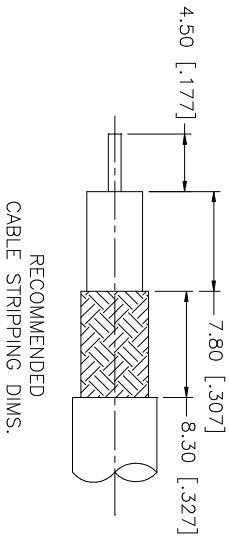
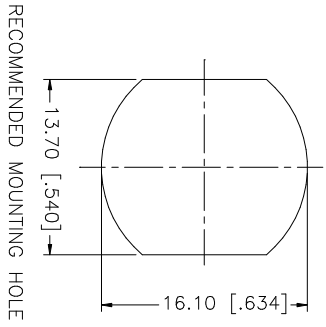
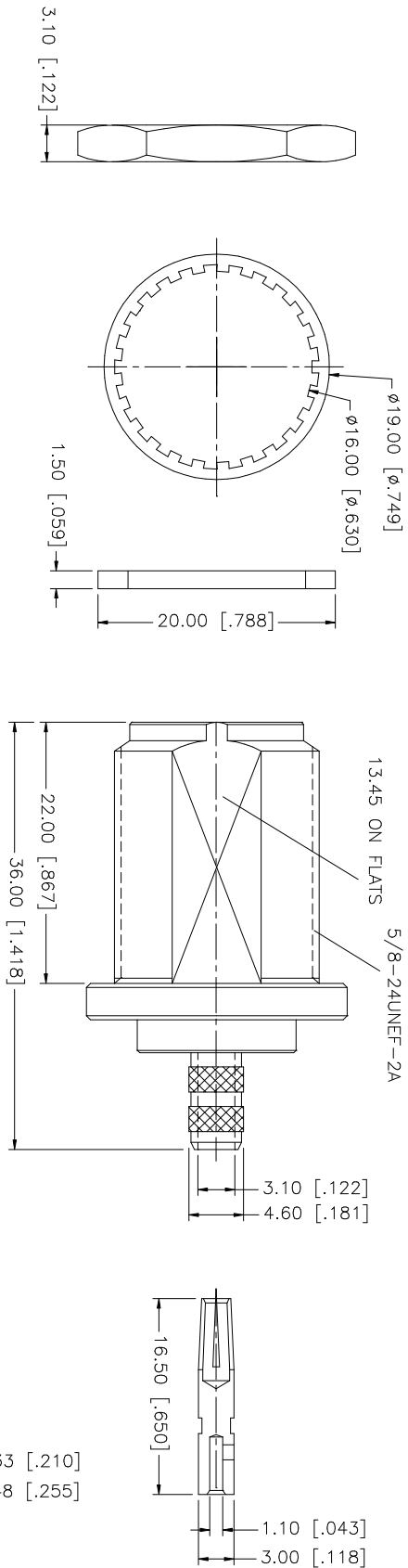
Click to view price, real time Inventory, Delivery & Lifecycle Information:

[Amphenol RF](#)
[172106](#)

For any questions, you can email us directly:

sales@integrated-circuit.com

REV.	DATE	DESCRIPTION
A	11/13/03	UPDATE DRAWING FORMAT
B	01/24/05	UPDATE PART DESCRIPTION
C	07/07/05	MODIFY CABLE DESCRIPTION RG-58



- NOTE:
1. CRIMPED FERRULE
HEX CRIMP SIZE .213"
 2. CRIMPED CONTACT PIN
HEX CRIMP SIZE .100"

DESCRIPTION	MATERIAL	FINISH	QTY	DO NOT SCALE DRAWING	CAD FILE	APPROVALS	DATE	DWG. NO.	REV.	C	SIZE	SCALE	
8 FERRULE	COPPER	NEXCOTE	1	UNLESS OTHERWISE SPECIFIED DIMENSIONS ARE INCHES AND FOR CUSTOMER REFERENCE ONLY. UNLESS OTHERWISE SPECIFIED TOLERANCES FOR MILLIMETERS ARE: 0.5 - 8mm ± 0.20mm 8 - 30mm ± 0.40mm 30 - 120mm ± 0.50mm UNLESS OTHERWISE SPECIFIED TOLERANCES FOR INCHES ARE: .020 - .315 = ± 0.007" .315 - 1.180 = ± 0.015" 1.180 - 4.724 = ± 0.020"	C:/172/172106.DWG		07/07/05	172106.DWG	C		A	NA	
7 GASKET	SILICONE	RED	1		DRAWN	G.R.S.							
6 HEX NUT	BRASS	NEXCOTE	1		CHECKED								
5 LOCK WASHER	BRASS	NEXCOTE	1		ISSUED								
4 CONTACT PIN	PHOS. BRONZE	GOLD	1		SHEET	1 OF 1							
3 INSULATOR	TEFLON	NATURAL	1		PART NO.								
2 BODY	BRASS	NEXCOTE	1										
1 DESCRIPTION													
Amphenol Connex													
N BULKHEAD CRIMP JACK (FOR RG-58 CABLE)													
172106													