

Excellent Integrated System Limited

Stocking Distributor

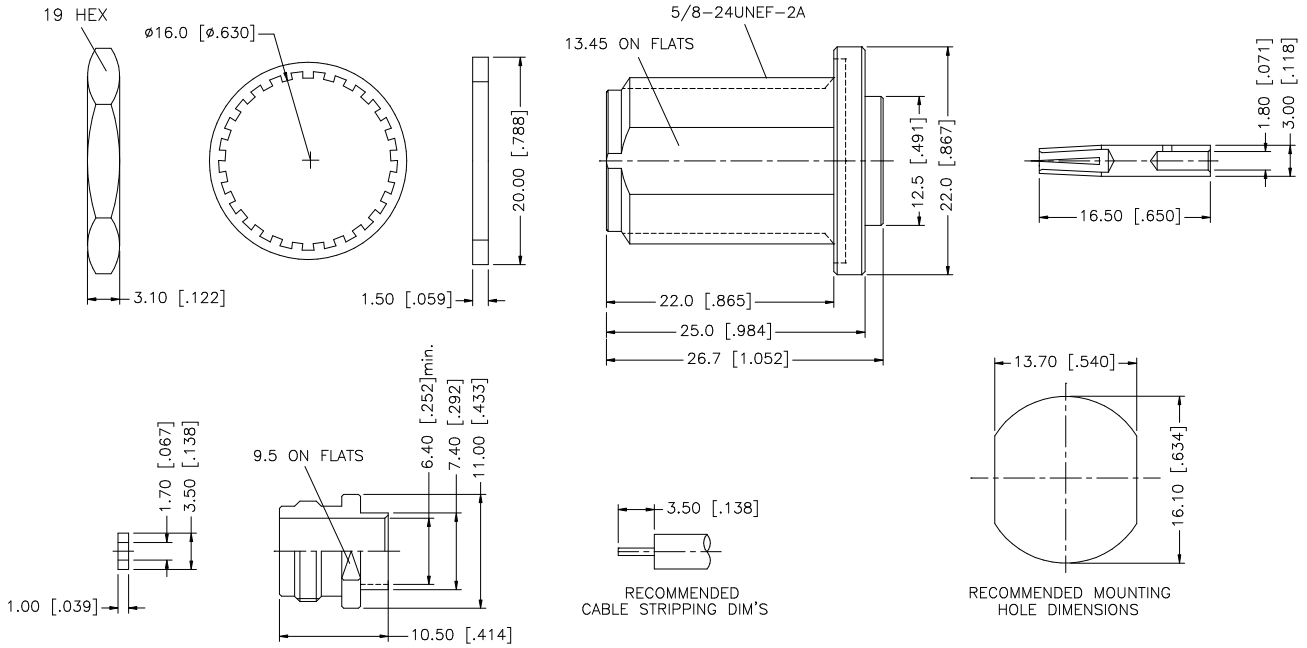
Click to view price, real time Inventory, Delivery & Lifecycle Information:

[Amphenol RF](#)
[172153](#)

For any questions, you can email us directly:

sales@integrated-circuit.com

REV.	DATE	DESCRIPTION
NC	10/07/96	INITIAL RELEASE
A	06/12/06	REVISE BODY PLATING TO NEXCOTE/ UPDATE DRAWING FORMAT



DESCRIPTION	MATERIAL	FINISH	QTY	DO NOT SCALE DRAWING	APPROVALS	DATE	<p style="text-align: center;">Amphenol Connex</p> <p style="text-align: center;">PART DESCRIPTION</p> <p style="text-align: center;">N BULKHEAD DIRECT SOLDER JACK (FOR .250" SEMI RIGID CABLE)</p> <p style="text-align: center;">PART NO.</p> <p style="text-align: center;">172153</p> <p style="text-align: center;">DWG. NO. 172153.DWG</p>	REV. A	SIZE A	SCALE NA	
8	SOLDER NUT	BRASS	GOLD	1	UNLESS OTHERWISE SPECIFIED DIMENSIONS ARE IN MILLIMETERS. DIMENSIONS IN [] ARE IN INCHES AND FOR CUSTOMER REFERENCE ONLY.	APPROVALS		DATE			
7	INSULATOR	TEFLON	NATURAL	1	UNLESS OTHERWISE SPECIFIED TOLERANCES FOR MILLIMETERS ARE:	DRAWN		G.R.S.	06/12/06		
6	HEX NUT	BRASS	GOLD	1	0.5 - 8mm ± 0.20mm	CHECKED					
5	LOCK WASHER	BRASS	GOLD	1	8 - 30mm ± 0.40mm	ISSUED					
4	GASKET	SILICONE	RED	1	30 - 120mm ± 0.50mm	SHEET	1 OF 1				
3	CONTACT PIN	BER. COPPER	GOLD	1	UNLESS OTHERWISE SPECIFIED TOLERANCES FOR INCHES ARE:	CAD FILE	C:/172/172153.DWG				
2	INSULATOR	TEFLON	NATURAL	1	.020 - .315 = ± 0.007"						
1	BODY	BRASS	NEXCOTE	1	.315 - 1.180 = ± 0.015"						
					1.180 - 4.724 = ± 0.020"						