

## Excellent Integrated System Limited

Stocking Distributor

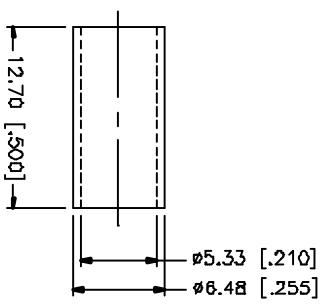
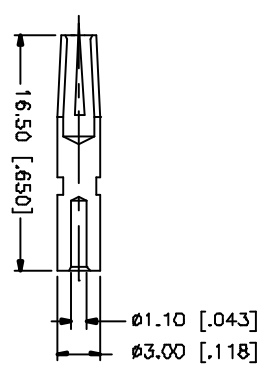
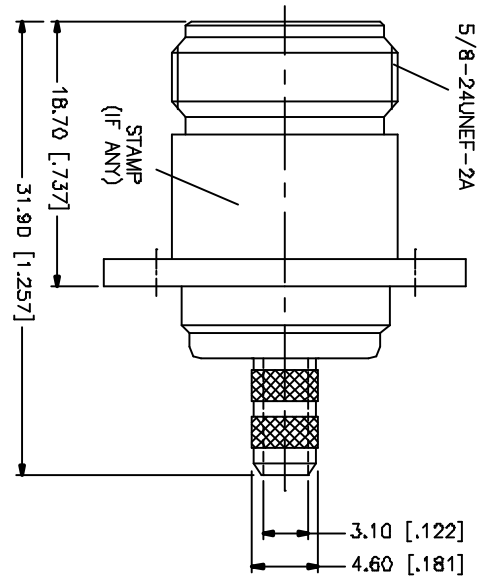
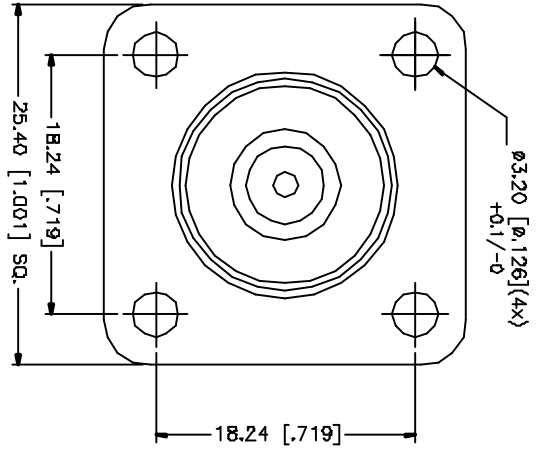
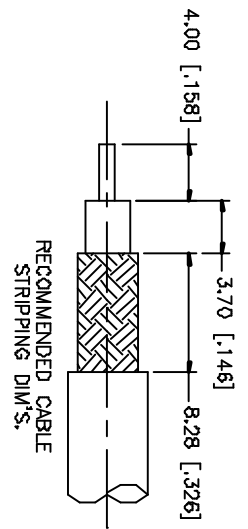
Click to view price, real time Inventory, Delivery & Lifecycle Information:

[Amphenol RF](#)  
[172208](#)

For any questions, you can email us directly:

[sales@integrated-circuit.com](mailto:sales@integrated-circuit.com)

REV	DATE	DESCRIPTION
A	11/21/03	UPDATE DRAWING FORMAT



- NOTES:
1. CRIMPED FERRULE  
HEX. CRIMP SIZE .213"
  2. CRIMPED CONTACT PIN  
HEX. CRIMP SIZE .100"

B	DESCRIPTION	MATERIAL	FINISH	QTY	UNLESS OTHERWISE SPECIFIED DIMENSIONS ARE IN MILLIMETERS (DIMENSIONS IN [ ] ARE IN INCHES AND FOR REFERENCE PURPOSES ONLY)	APPROVALS	DATE	PART DESCRIPTION	DWG. NO.	REV.	SIZE	SCALE
1	BODY W/PANEL	BRASS	NICK/COBALT	1	UNLESS OTHERWISE SPECIFIED DIMENSIONS ARE IN MILLIMETERS (DIMENSIONS IN [ ] ARE IN INCHES AND FOR REFERENCE PURPOSES ONLY)	APPROVALS	DATE	<b>Amphenol Connex</b> N PANEL CRIMP JACK RG58/U CABLE 172208	172208.DWG	A	A	NA
2	INSULATOR	TEFLON	NATURAL	1	UNLESS OTHERWISE SPECIFIED DIMENSIONS ARE IN MILLIMETERS (DIMENSIONS IN [ ] ARE IN INCHES AND FOR REFERENCE PURPOSES ONLY)	CHECKED	11/21/03					
3	CONTACT PIN	PHOS. BRONZE	GOLD	1	UNLESS OTHERWISE SPECIFIED DIMENSIONS ARE IN MILLIMETERS (DIMENSIONS IN [ ] ARE IN INCHES AND FOR REFERENCE PURPOSES ONLY)	DESIGNED						
4	FERRULE	COPPER	NICK/COBALT	1	UNLESS OTHERWISE SPECIFIED DIMENSIONS ARE IN MILLIMETERS (DIMENSIONS IN [ ] ARE IN INCHES AND FOR REFERENCE PURPOSES ONLY)	SHEET	1 OF 1					
5					UNLESS OTHERWISE SPECIFIED DIMENSIONS ARE IN MILLIMETERS (DIMENSIONS IN [ ] ARE IN INCHES AND FOR REFERENCE PURPOSES ONLY)							
6					UNLESS OTHERWISE SPECIFIED DIMENSIONS ARE IN MILLIMETERS (DIMENSIONS IN [ ] ARE IN INCHES AND FOR REFERENCE PURPOSES ONLY)							
7					UNLESS OTHERWISE SPECIFIED DIMENSIONS ARE IN MILLIMETERS (DIMENSIONS IN [ ] ARE IN INCHES AND FOR REFERENCE PURPOSES ONLY)							
8					UNLESS OTHERWISE SPECIFIED DIMENSIONS ARE IN MILLIMETERS (DIMENSIONS IN [ ] ARE IN INCHES AND FOR REFERENCE PURPOSES ONLY)							
	DESCRIPTION	MATERIAL	FINISH	QTY	UNLESS OTHERWISE SPECIFIED DIMENSIONS ARE IN MILLIMETERS (DIMENSIONS IN [ ] ARE IN INCHES AND FOR REFERENCE PURPOSES ONLY)							