

## **Excellent Integrated System Limited**

Stocking Distributor

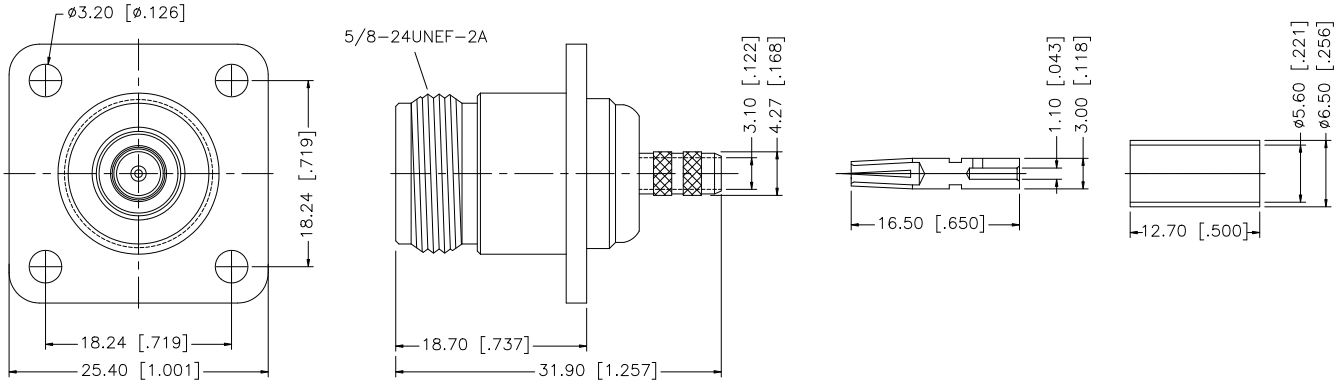
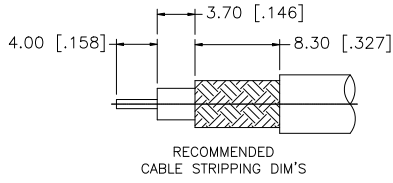
Click to view price, real time Inventory, Delivery & Lifecycle Information:

[Amphenol RF](#)  
[172175](#)

For any questions, you can email us directly:

[sales@integrated-circuit.com](mailto:sales@integrated-circuit.com)

| REV. | DATE     | DESCRIPTION                                |
|------|----------|--|
| A    | 02/09/05 | MODIFY PLATING SPEC/ UPDATE DRAWING FORMAT |
| B    | 07/12/07 | REVISE CRIMP NOTES                         |



NOTE:

1. CRIMPED FERRULE HEX CRIMP SIZE .213"
2. CRIMPED CONTACT PIN HEX CRIMP SIZE .100"

|   |             |              |         | APPROVALS | DATE                          | <b>Amphenol Connex</b>  |          |          |
|---|-------------|--------------|---------|-----------|-------------------------------|---|----------|----------|
| 8 |             |              |         | DRAWN     | G.R.S.                        |   | 07/12/07 |          |
| 7 |             |              |         | CHECKED   |                               | PART DESCRIPTION<br><b>N PANEL CRIMP JACK<br/>(FOR RG-55/U, 143A/U, 223/U, 400/U)</b> |          |          |
| 6 |             |              |         | ISSUED    |                               |   |          |          |
| 5 |             |              |         | SHEET     | 1 OF 1                        |   |          |          |
| 4 | FERRULE     | COPPER       | NEXCOTE | 1         |                               | PART NO.<br><b>172175</b>   |          |          |
| 3 | CONTACT PIN | PHOS. BRONZE | GOLD    | 1         |                               |   |          |          |
| 2 | INSULATOR   | TEFLON       | NATURAL | 1         |                               | DWG. NO. 172175.DWG   |          |          |
| 1 | BODY        | BRASS        | NEXCOTE | 1         |                               |   |          |          |
|   | DESCRIPTION | MATERIAL     | FINISH  | QTY       | CAD FILE<br>C:/172/172175.DWG | REV. B  | SIZE A   | SCALE NA |

UNLESS OTHERWISE SPECIFIED DIMENSIONS ARE IN MILLIMETERS. DIMENSIONS IN [ ] ARE IN INCHES AND FOR CUSTOMER REFERENCE ONLY.

UNLESS OTHERWISE SPECIFIED TOLERANCES FOR MILLIMETERS ARE:  
 0.5 - 8mm ± 0.20mm  
 8 - 30mm ± 0.40mm  
 30 - 120mm ± 0.50mm

UNLESS OTHERWISE SPECIFIED TOLERANCES FOR INCHES ARE:  
 .020 - .315 = ± 0.007"  
 .315 - 1.180 = ± 0.015"  
 1.180 - 4.724 = ± 0.020"

DO NOT SCALE DRAWING