

Excellent Integrated System Limited

Stocking Distributor

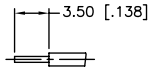
Click to view price, real time Inventory, Delivery & Lifecycle Information:

[Amphenol RF](#)
[172169](#)

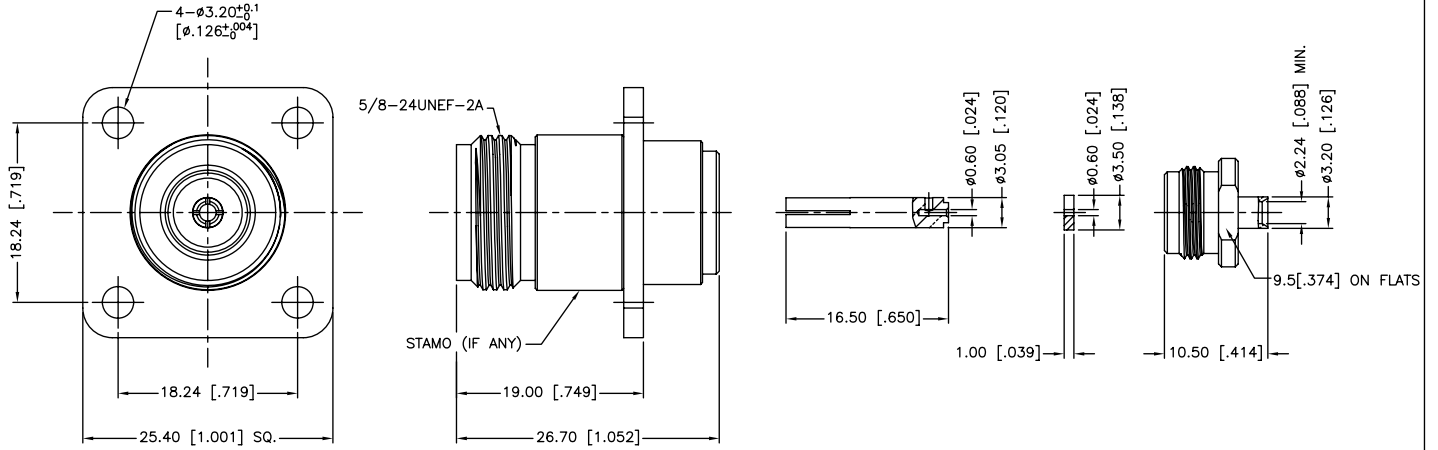
For any questions, you can email us directly:

sales@integrated-circuit.com

REV.	DATE	ECR NO.	DESCRIPTION
NC	07/30/09	XXXXXX	INITIAL RELEASE



RECOMMENDED
CABLE STRIPPING DIM'S



1. CONTACT PIN TO SILDER

UNLESS OTHERWISE SPECIFIED DIMENSIONS ARE IN MILLIMETERS. DIMENSIONS IN [] ARE IN INCHES AND FOR CUSTOMER REFERENCE ONLY.				APPROVALS	DATE	<h2 style="color: blue; margin: 0;">Amphenol Connex</h2>					
6	SOLDER NUT	BRASS	GOLD	1	DRAWN		M.ZHANG	07/30/09			
5	INSULATOR	PTFE	NATURAL	1	CHECKED						
4	CONTACT PIN	PHOSPHOR BRONZE	GOLD	1	ISSUED						
3	INNER BODY	BRASS	NEXCOTE	1	SHEET	1 OF 1					
2	INSULATOR	PTFE	NATURAL	1	PART DESCRIPTION N PANEL DIRECT SOLDER JACK (FOR .085", .086" CABLE)						
1	OUTER BODY	BRASS	NEXCOTE	1				PART NO. 172169			
UNLESS OTHERWISE SPECIFIED TOLERANCES FOR MILLIMETERS ARE: 0.5 - 8mm ± 0.20mm 8 - 30mm ± 0.40mm 30 - 120mm ± 0.50mm UNLESS OTHERWISE SPECIFIED TOLERANCES FOR INCHES ARE: .020 - .315 = ± 0.007" .315 - 1.180 = ± 0.015" 1.180 - 4.724 = ± 0.020" DO NOT SCALE DRAWING				CAD FILE		DWG. NO. 172169.DWG					
				C:/CONNEX/172169.DWG		REV.	NC	SIZE	A	SCALE	NA