

Excellent Integrated System Limited

Stocking Distributor

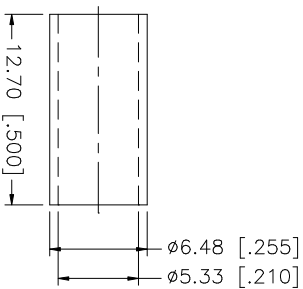
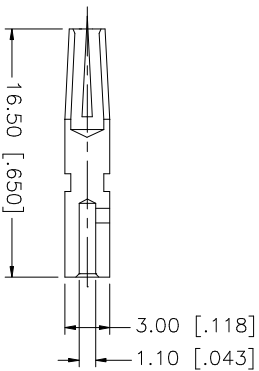
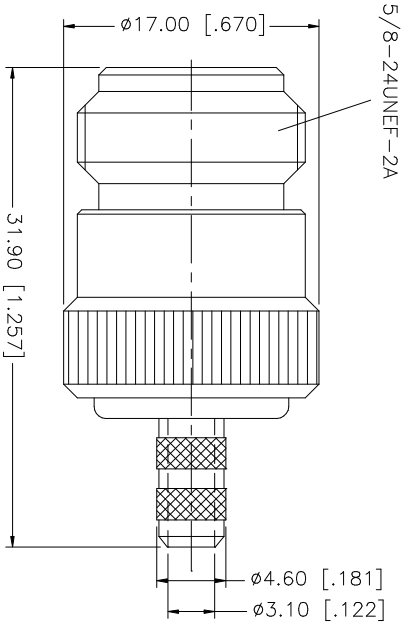
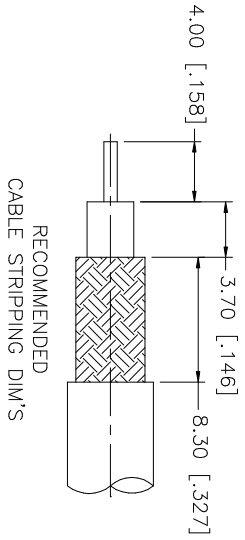
Click to view price, real time Inventory, Delivery & Lifecycle Information:

[Amphenol RF](#)
[172103](#)

For any questions, you can email us directly:

sales@integrated-circuit.com

REV.	DATE	DESCRIPTION
A	04/31/03	UPDATE DRAWING FORMAT



NOTE:

1. CRIMPED FERRULE
HEX CRIMP SIZE .213"
2. CRIMPED CONTACT PIN
HEX CRIMP SIZE .100"

Amphenol Connex

N CRIMP JACK
(FOR RG-58/U, 141/U CABLE)

PART NO. 172103

UNLESS OTHERWISE SPECIFIED DIMENSIONS ARE IN MILLIMETERS; DIMENSIONS IN [] ARE IN INCHES AND FOR CUSTOMER REFERENCE ONLY.	UNLESS OTHERWISE SPECIFIED TOLERANCES FOR MILLIMETERS ARE:	UNLESS OTHERWISE SPECIFIED TOLERANCES FOR INCHES ARE:	DO NOT SCALE DRAWING	CAD FILE	DWG. NO.	REV.	SIZE	SCALE
0.5 - 8mm ± 0.20mm	0.5 - 8mm ± 0.007"	.020 - .315 ± 0.007"		APPROVALS				
8 - 30mm ± 0.40mm	8 - 30mm ± 0.015"	.315 - 1.180 ± 0.015"		DRAWN	G.R.S.	04/31/03		
30 - 120mm ± 0.50mm	30 - 120mm ± 0.020"	1.180 - 4.724 ± 0.020"		CHECKED				
				ISSUED				
				SHEET	1 OF 1			
1	BODY	BRASS	NEXCOTE	1				
2	CONTACT PIN	PHOS. BRONZE	GOLD	1				
3	FERRULE	COPPER	NEXCOTE	1				
4								
5								
6								
7								
8								
	DESCRIPTION	MATERIAL	FINISH	QTY				