

## **Excellent Integrated System Limited**

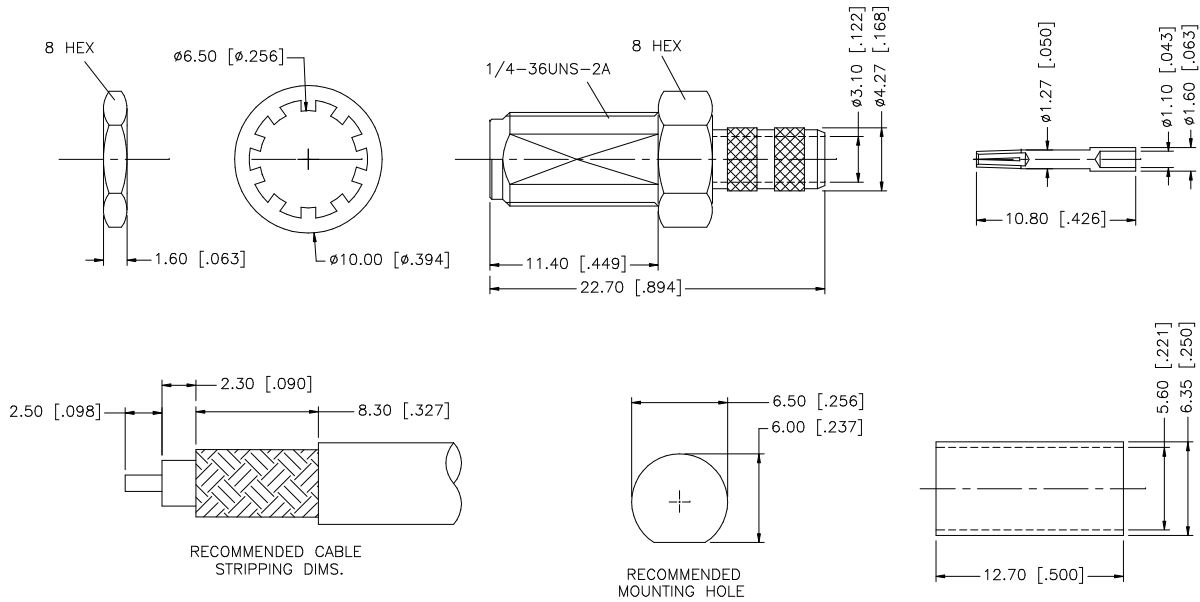
Stocking Distributor

Click to view price, real time Inventory, Delivery & Lifecycle Information:

[Amphenol RF](#)  
[132191](#)

For any questions, you can email us directly:  
[sales@integrated-circuit.com](mailto:sales@integrated-circuit.com)

REV.	DATE	DESCRIPTION
NC	02/13/98	INITIAL RELEASE
A	05/01/04	UPDATE DRAWING FORMAT
B	06/25/05	ADD CABLE CALL OUT IN DESCRIPTION



RECOMMENDED CABLE STRIPPING DIMS.

RECOMMENDED MOUNTING HOLE

REV.	DESCRIPTION	MATERIAL	FINISH	QTY	APPROVALS	DATE	<h2 style="color: blue; margin: 0;">Amphenol Connex</h2>	
8								
7								
6	FERRULE	COPPER	GOLD	1	DRAWN G.R.S.	06/25/05	<b>PART DESCRIPTION</b> SMA BULKHEAD CRIMP JACK (FOR RG-55, 142, 223, 400/U CABLE)	
5	HEX NUT	BRASS	GOLD	1	CHECKED			
4	LOCK WASHER	BRASS	GOLD	1	ISSUED		<b>PART NO.</b> 132191	
3	CONTACT PIN	BER. COPPER	GOLD	1	SHEET 1 OF 1			
2	INSULATOR	TEFLON	NATURAL	1			<b>DWG. NO.</b> 132191.DWG <b>REV.</b> B <b>SIZE</b> A <b>SCALE</b> NA	
1	BODY	BRASS	GOLD	1	CAD FILE C:/132/132191.DWG			
<small>UNLESS OTHERWISE SPECIFIED DIMENSIONS ARE IN MILLIMETERS. DIMENSIONS IN [ ] ARE IN INCHES AND FOR CUSTOMER REFERENCE ONLY.</small> <small>UNLESS OTHERWISE SPECIFIED TOLERANCES FOR MILLIMETERS ARE:</small> 0.5 - 8mm ± 0.20mm 8 - 30mm ± 0.40mm 30 - 120mm ± 0.50mm <small>UNLESS OTHERWISE SPECIFIED TOLERANCES FOR INCHES ARE:</small> .020 - .315 = ± 0.007" .315 - 1.180 = ± 0.015" 1.180 - 4.724 = ± 0.020" DO NOT SCALE DRAWING								