

Excellent Integrated System Limited

Stocking Distributor

Click to view price, real time Inventory, Delivery & Lifecycle Information:

[Amphenol RF](#)
[132116RP](#)

For any questions, you can email us directly:

sales@integrated-circuit.com

NOTES:

1. MATERIALS AND FINISHES:

- BODY - BRASS, GOLD PLATING
- CONTACT - BRASS, GOLD PLATING
- INSULATOR - PTFE, NATURAL

2. ELECTRICAL:

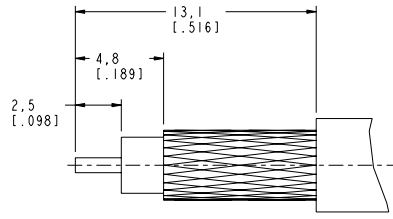
- A. IMPEDANCE: 50 OHM, NOMINAL
- B. FREQUENCY RANGE: 0-12.4 GHZ
- C. D.W.V.: 1000 VRMS, MIN.

3. MECHANICAL:

- A. DURABILITY: 500 CYCLES MIN.
- B. TEMPERATURE RANGE: -65°C to +165°C

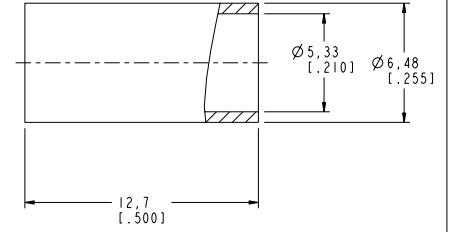
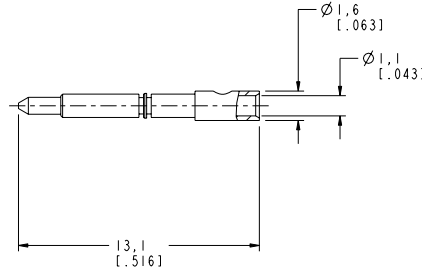
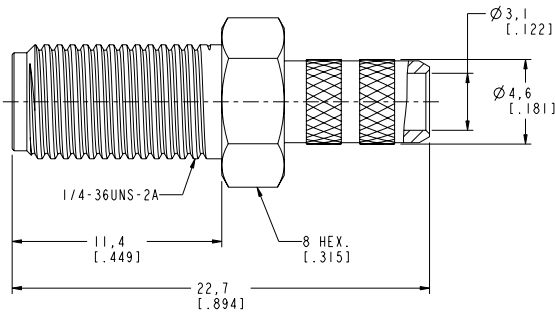
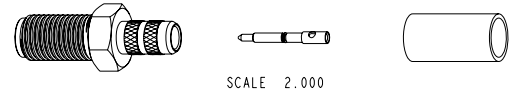
4. CRIMPED FERRULE HEX CRIMP SIZE .213"

5. CRIMPED CONTACT PIN HEX CRIMP SIZE .052"



RECOMMENDED
CABLE STRIPPING DIM'S

REVISIONS				
REV	DESCRIPTION	DATE	ECO	APPR
NC	INITIAL RELEASE	10-Oct-07	-----	GRS
A	THE ARFA CROSS WAS CHANGED TO RSMAG111A1-3GT5GP-58CU-50, UPDATE DRAWING FORMAT	22-Sep-14	2808	MZ



CUSTOMER OUTLINE DRAWING
ALL OTHER SHEETS ARE FOR INTERNAL USE ONLY

UNLESS OTHERWISE SPECIFIED, DIMENSIONS ARE IN METRIC AND TOLERANCES ARE: $\pm 0.5mm$ $\pm 0.5 - 6mm$ $\pm 0.30mm$ $30 - 120mm$ ANGLES $\pm 1^\circ$ $\pm 0.05mm$ $\pm 0.1mm$ $\pm 0.2mm$ $\pm 0.3mm$ $\pm 1^\circ$	MATERIAL	DRAWN M. ZHANG	DATE 22-Sep-14	TITLE SMA CRIMP JACK (FOR RG-58C/U, 58/U CABLE)	Amphenol Connex
	NOTICE - These drawings, specifications, or other data (1) are, and remain the property of Amphenol Corp. (2) must be returned upon request; and (3) are confidential and not to be disclosed to any person other than those to whom they are given by Amphenol Corp. The furnishing of these drawings, specifications, or other data by Amphenol Corp., or to any other person to anyone for any purpose is not to be regarded by implication or otherwise in any manner licensing, granting rights to permitting such holder or any other person to manufacture, use or sell any product, process or design, patented or otherwise, that may in any way be related to or disclosed by said drawings, specifications, or other data.	REFERENCE RSMAG111A1-3GT5GP-58CU-50 CONFIGURATION LEVEL: □□□	ENGINEER S. DUAN		
	FINISH	APPROVED S. HSIEH	DATE 22-Sep-14	SCALE: 5.0:1.0 SHEET 3 OF 3	ITEM NO.
		CAD FILE		DWG SIZE B REV A	PART NO. 132116RP