

Excellent Integrated System Limited

Stocking Distributor

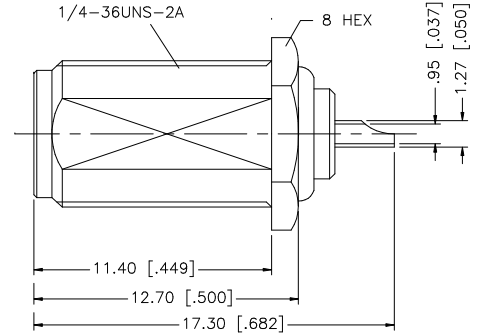
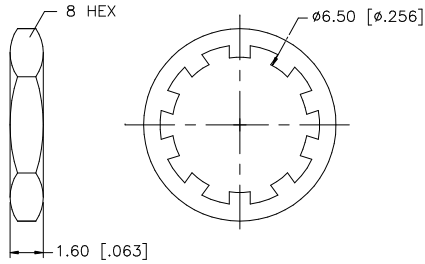
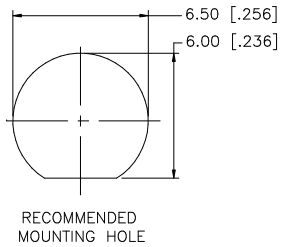
Click to view price, real time Inventory, Delivery & Lifecycle Information:

[Amphenol RF](#)
[132139](#)

For any questions, you can email us directly:

sales@integrated-circuit.com

REV.	DATE	DESCRIPTION
A	01/25/04	UPDATE DRAWING FORMAT



DESCRIPTION	MATERIAL	FINISH	QTY	UNLESS OTHERWISE SPECIFIED DIMENSIONS ARE IN MILLIMETERS. DIMENSIONS IN [] ARE IN INCHES AND FOR CUSTOMER REFERENCE ONLY.	APPROVALS	DATE	Amphenol Connex PART DESCRIPTION SMA BULKHEAD RECEPT. JACK PART NO. 132139
8				UNLESS OTHERWISE SPECIFIED TOLERANCES FOR MILLIMETERS ARE: 0.5 - 8mm ± 0.20mm 8 - 30mm ± 0.40mm 30 - 120mm ± 0.50mm	DRAWN G.R.S.	01/25/04	
7				UNLESS OTHERWISE SPECIFIED TOLERANCES FOR INCHES ARE: .020 - .315 = ± 0.007" .315 - 1.180 = ± 0.015" 1.180 - 4.724 = ± 0.020"	CHECKED		
6				DO NOT SCALE DRAWING	ISSUED		
5	HEX NUT	BRASS	GOLD		SHEET	1 OF 1	
4	LOCK WASHER	BRASS	GOLD		CAD FILE	C:/132/132139.DWG	
3	CONTACT PIN	BER. COPPER	GOLD		DWG. NO.	132139.DWG	
2	INSULATOR	TEFLON	NATURAL		REV.	A	
1	BODY	BRASS	GOLD		SIZE	A	
					SCALE	NA	