

Excellent Integrated System Limited

Stocking Distributor

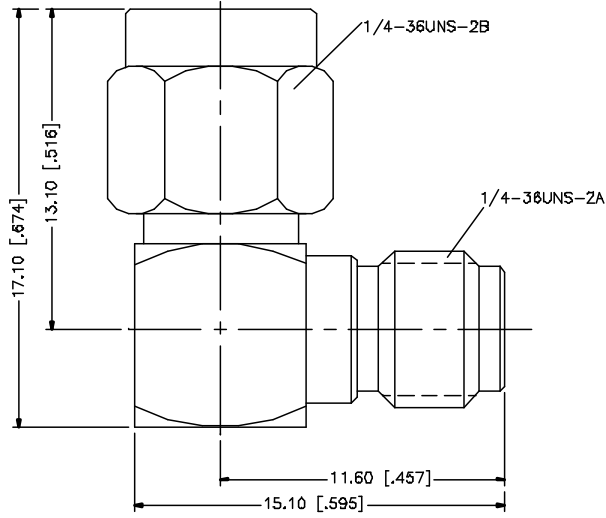
Click to view price, real time Inventory, Delivery & Lifecycle Information:

[Amphenol RF](#)
[132172](#)

For any questions, you can email us directly:

sales@integrated-circuit.com

REV.	DATE	DESCRIPTION
NC	06/01/99	INITIAL RELEASE
A	05/01/04	UPDATE DRAWING FORMAT



B					APPROVALS	DATE	Amphenol Connex				
7					DRAWN	G.R.S.	05/01/04	PART DESCRIPTION SMA MALE TO FEMALE R/A ADAPTOR			
6					CHECKED						
5					ISSUED			PART NO. 132172			
4	CONTACT PIN	BER. COPPER	GOLD	1	SHEET	1 OF 1					
3	CONTACT PIN	BRASS	GOLD	1				DWG. NO. 132172.DWG REV. A SIZE A SCALE NA			
2	INSULATOR	TEFLON	NATURAL	1							
1	HOUSING/BODY	BRASS	GOLD	1							
DESCRIPTION				MATERIAL	FINISH	QTY					

UNLESS OTHERWISE SPECIFIED DIMENSIONS ARE IN MILLIMETERS. DIMENSIONS IN [] ARE IN INCHES AND FOR CUSTOMER REFERENCE ONLY.

UNLESS OTHERWISE SPECIFIED TOLERANCES FOR MILLIMETERS ARE:
 0.5 - 8mm ± 0.20mm
 8 - 30mm ± 0.40mm
 30 - 120mm ± 0.50mm

UNLESS OTHERWISE SPECIFIED TOLERANCES FOR INCHES ARE:
 .020 - .315 = ± 0.007"
 .315 - 1.180 = ± 0.015"
 1.180 - 4.724 = ± 0.020"

DO NOT SCALE DRAWING

CAD FILE
C:/132/132172.DWG