

Excellent Integrated System Limited

Stocking Distributor

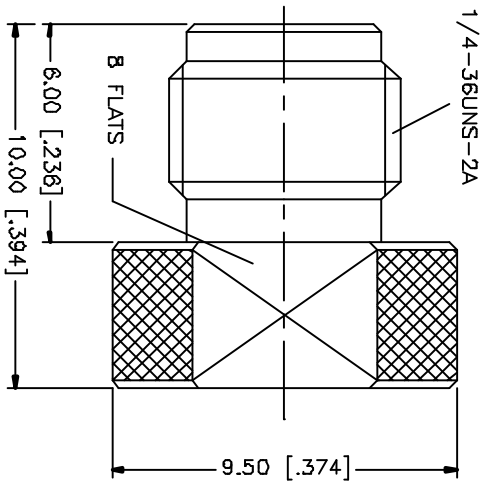
Click to view price, real time Inventory, Delivery & Lifecycle Information:

[Amphenol RF](#)
[132361](#)

For any questions, you can email us directly:

sales@integrated-circuit.com

REV.	DATE	DESCRIPTION
NC	11/10/03	INITIAL RELEASE
A	07/31/04	UPDATE RESISTOR WATTAGE



NO.	DESCRIPTION	MATERIAL	FINISH	QTY	UNIT	APPROVALS	DATE	PART DESCRIPTION	DWG. NO.	REV.	SIZE	SCALE
8								<p>Amphenol Connex</p> <p>SMA TERMINATOR JACK (50 ohm)</p> <p>132361</p>	132361.DWG	A	A	NA
7												
6												
5												
4	RESISTOR	100R	1 WATT - 1%	2								
3	CONTACT FIN	BEC. COPPER	GOLD	1								
2	INSULATOR	TEFLON	NATURAL	1								
1	BODY	BRASS	GOLD	1								
DESCRIPTION					MATERIAL		FINISH		QTY			

UNLESS OTHERWISE SPECIFIED DIMENSIONS ARE IN MILLIMETERS (INCHES ARE IN PARENTHESIS). DIMENSIONS ARE GIVEN IN MILLIMETERS UNLESS OTHERWISE SPECIFIED.

UNLESS OTHERWISE SPECIFIED TOLERANCES FOR MILLIMETERS ARE:

D.5 - .8mm ± 0.20mm
 B - .30mm ± 0.40mm
 3.0 - 120mm ± 0.50mm

UNLESS OTHERWISE SPECIFIED TOLERANCES FOR INCHES ARE:

.020 - .315 = ± 0.010"
 .315 - 1.180 = ± 0.015"
 1.180 - 4.724 = ± 0.020"

DO NOT SCALE DRAWING

APPROVALS	DATE
DRAWN G.R.S.	07/31/04
CHECKED	
ISSUED	
SHEET 1 OF 1	

CAD FILE	DWG. NO.	REV.	SIZE	SCALE
C:/132/132361.DWG	132361.DWG	A	A	NA