

## Excellent Integrated System Limited

Stocking Distributor

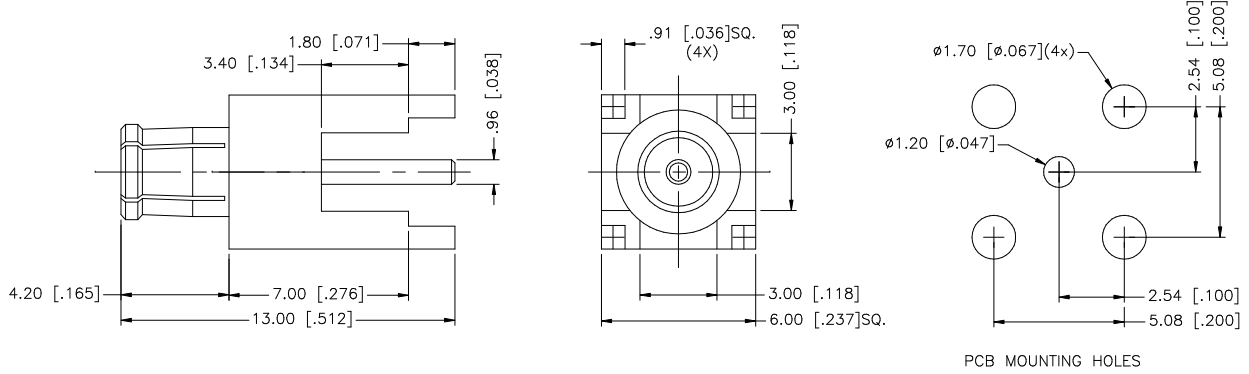
Click to view price, real time Inventory, Delivery & Lifecycle Information:

[Amphenol RF](#)  
[252153](#)

For any questions, you can email us directly:

[sales@integrated-circuit.com](mailto:sales@integrated-circuit.com)

REV.	DATE	DESCRIPTION
A	04/31/03	UPDATE DRAWING FORMAT



REV.	DATE	DESCRIPTION
A	04/31/03	UPDATE DRAWING FORMAT

8																				
7																				
6																				
5																				
4																				
3	CONTACT PIN	BRASS	GOLD	1	<small>UNLESS OTHERWISE SPECIFIED DIMENSIONS ARE IN MILLIMETERS; DIMENSIONS IN [ ] ARE IN INCHES AND FOR CUSTOMER REFERENCE ONLY.</small>  <small>UNLESS OTHERWISE SPECIFIED TOLERANCES FOR MILLIMETERS ARE:</small> 0.5 - 8mm ± 0.20mm 8 - 30mm ± 0.40mm 30 - 120mm ± 0.50mm  <small>UNLESS OTHERWISE SPECIFIED TOLERANCES FOR INCHES ARE:</small> .020 - .315 = ± 0.007" .315 - 1.180 = ± 0.015" 1.180 - 4.724 = ± 0.020"															
2	INSULATOR	TEFLON	NATURAL	1																
1	HOUSING	BRASS	GOLD	1																
	DESCRIPTION	MATERIAL	FINISH	QTY		DO NOT SCALE DRAWING														
					APPROVALS	DATE	<h1 style="text-align: center; color: blue;">Amphenol Connex</h1> <p style="text-align: center;">MCX P.C. BOARD RECEPTACLE PLUG</p> <p style="text-align: center;">PART NO. 252153</p>													
					DRAWN	G.R.S.														04/31/03
					CHECKED															
					ISSUED															
					SHEET	1 OF 1														
					CAD FILE	C:/252/252153.DWG	DWG. NO.	252153.DWG	REV.	A	SIZE	A	SCALE	NA						