

## Excellent Integrated System Limited

Stocking Distributor

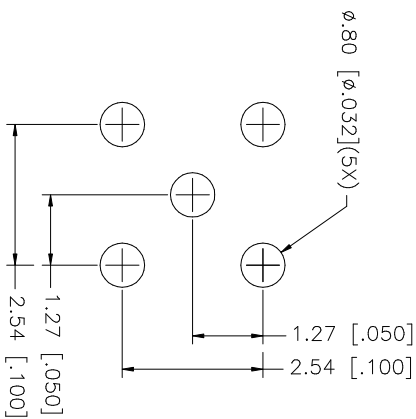
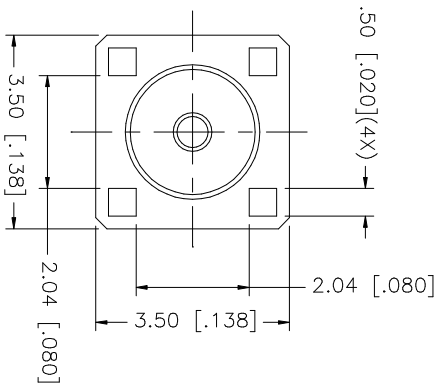
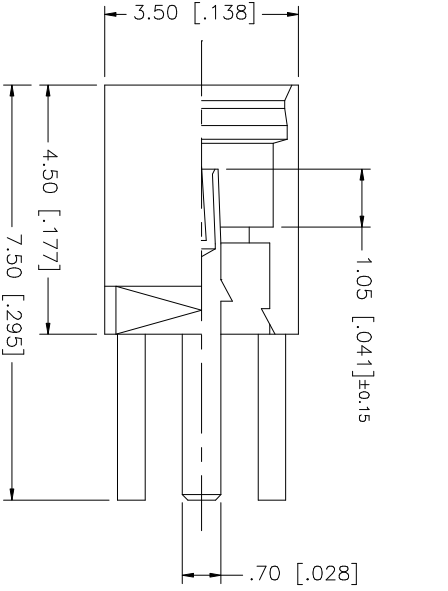
Click to view price, real time Inventory, Delivery & Lifecycle Information:

[Amphenol RF](#)  
[262104](#)

For any questions, you can email us directly:

[sales@integrated-circuit.com](mailto:sales@integrated-circuit.com)

REV.	DATE	DESCRIPTION
NC	03/12/03	INITIAL RELEASE



8																			
7																			
6																			
5																			
4																			
3	CONTACT PIN	BER. COPPER	GOLD	1															
2	INSULATOR	TEFLON	NATURAL	1															
1	BODY	BRASS	GOLD	1															
	DESCRIPTION	MATERIAL	FINISH	QTY															
UNLESS OTHERWISE SPECIFIED DIMENSIONS ARE IN INCHES AND FOR CUSTOMER REFERENCE ONLY. TOLERANCES FOR MILLIMETERS ARE:										UNLESS OTHERWISE SPECIFIED DIMENSIONS ARE IN MILLIMETERS AND FOR CUSTOMER REFERENCE ONLY. TOLERANCES FOR INCHES ARE:									
0.3 - 8mm ± 0.20mm										.020 - .315 ± 0.007"									
8 - 30mm ± 0.40mm										.315 - 1.180 ± 0.015"									
30 - 120mm ± 0.50mm										1.180 - 4.724 ± 0.020"									
UNLESS OTHERWISE SPECIFIED TOLERANCES FOR INCHES ARE:										UNLESS OTHERWISE SPECIFIED TOLERANCES FOR MILLIMETERS ARE:									
.020 - .315 ± 0.007"										0.3 - 8mm ± 0.20mm									
.315 - 1.180 ± 0.015"										8 - 30mm ± 0.40mm									
1.180 - 4.724 ± 0.020"										30 - 120mm ± 0.50mm									
DO NOT SCALE DRAWING																			
APPROVALS					DATE					PART DESCRIPTION									
DRAWN G.R.S.					03/12/03					<h1 style="text-align: center;">Amphenol Connex</h1> <p style="text-align: center;">MMCX P.C.B. JACK</p>									
CHECKED																			
ISSUED																			
SHEET 1 OF 1										PART NO. 262104									
CAD FILE C:/262/262104.DWG										DWG. NO. 262104.DWG									
										REV. NC									
										SIZE A									
										SCALE NA									