

Excellent Integrated System Limited

Stocking Distributor

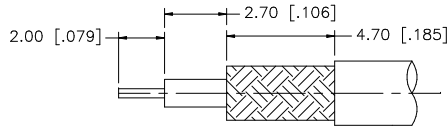
Click to view price, real time Inventory, Delivery & Lifecycle Information:

[Amphenol RF](#)
[142229](#)

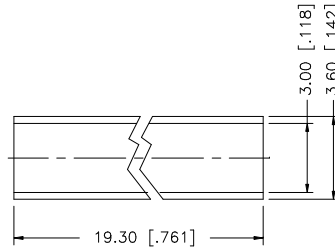
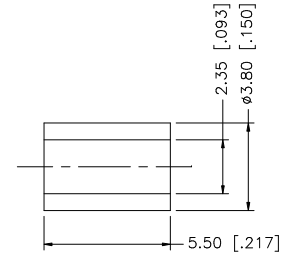
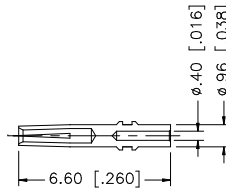
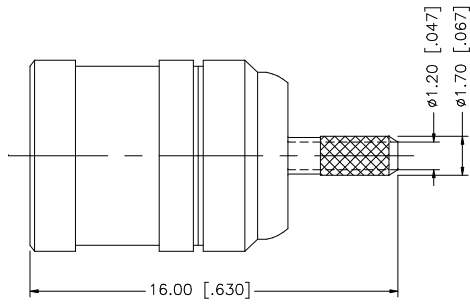
For any questions, you can email us directly:

sales@integrated-circuit.com

REV.	DATE	DESCRIPTION
NC	09/22/99	INITIAL RELEASE
A	07/20/05	UPDATE DRAWING FORMAT



RECOMMENDED
CABLE STRIPPING DIM'S



8				<small>UNLESS OTHERWISE SPECIFIED DIMENSIONS ARE IN MILLIMETERS. DIMENSIONS IN [] ARE IN INCHES AND FOR CUSTOMER REFERENCE ONLY.</small> <small>UNLESS OTHERWISE SPECIFIED TOLERANCES FOR MILLIMETERS ARE:</small> 0.5 - 8mm ± 0.20mm 8 - 30mm ± 0.40mm 30 - 120mm ± 0.50mm <small>UNLESS OTHERWISE SPECIFIED TOLERANCES FOR INCHES ARE:</small> .020 - .315 = ± 0.007" .315 - 1.180 = ± 0.015" 1.180 - 4.724 = ± 0.020" DO NOT SCALE DRAWING	APPROVALS	DATE	<h1 style="color: blue; text-align: center;">Amphenol Connex</h1>	
7					DRAWN	G.R.S.		07/20/05
6					CHECKED			
5	HEAT SHRINK TUBE				ISSUED			
4	FERRULE	COPPER	GOLD		1			
3	CONTACT PIN	BER. COPPER	GOLD		1			
2	INSULATOR	TEFLON	NATURAL		1			
1	BODY	BRASS	GOLD		1			
	DESCRIPTION	MATERIAL	FINISH	QTY	CAD FILE		PART DESCRIPTION SMB CRIMP PLUG (FOR RG-178/U, 196/U CABLE) PART NO. 142229	
					C:/142/142229.DWG	DWG. NO.	142229.DWG REV. A SIZE A SCALE NA	