

Excellent Integrated System Limited

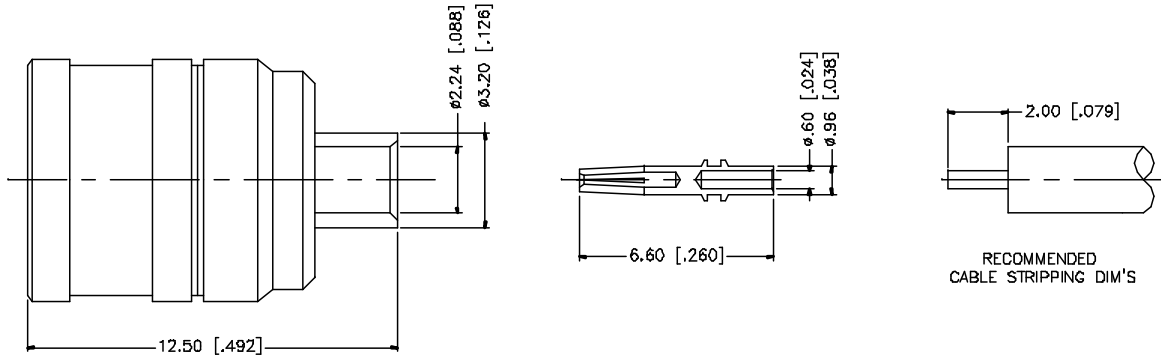
Stocking Distributor

Click to view price, real time Inventory, Delivery & Lifecycle Information:

[Amphenol RF](#)
[142212](#)

For any questions, you can email us directly:
sales@integrated-circuit.com

REV.	DATE	DESCRIPTION
A	03/27/05	UPDATE DRAWING FORMAT



8				<small>UNLESS OTHERWISE SPECIFIED DIMENSIONS ARE IN MILLIMETERS. DIMENSIONS IN () ARE IN INCHES AND FOR CUSTOMER REFERENCE ONLY.</small> <small>UNLESS OTHERWISE SPECIFIED TOLERANCES FOR MILLIMETERS ARE:</small> 0.5 - 8mm ± 0.20mm 8 - 30mm ± 0.40mm 30 - 120mm ± 0.60mm <small>UNLESS OTHERWISE SPECIFIED TOLERANCES FOR INCHES ARE:</small> .020 - .316 = ± 0.007" .316 - 1.180 = ± 0.015" 1.180 - 4.724 = ± 0.020"	APPROVALS	DATE	<h1 style="color: blue; margin: 0;">Amphenol Connex</h1>			
7			DRAWN		G.R.S.	03/27/05		SMB DIRECT SOLDER PLUG (FOR .085", .086")		
6			CHECKED							
5			ISSUED							
4			SHEET		1 OF 1					
3	CONTACT PIN	BRASS	GOLD		1				PART NO.	
2	INSULATDR	TEFLON	NATURAL		1				142212	
1	BODY	BRASS	GOLD		1					
	DESCRIPTION	MATERIAL	FINISH	QTY	DO NOT SCALE DRAWING	CAD FILE	DWG. NO.		REV.	SIZE
						C:/142/142212.DWG	142212.DWG	A	A	NA