

Excellent Integrated System Limited

Stocking Distributor

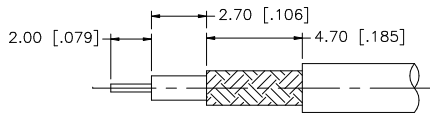
Click to view price, real time Inventory, Delivery & Lifecycle Information:

[Amphenol RF](#)
[142241](#)

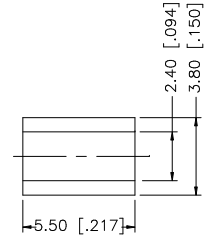
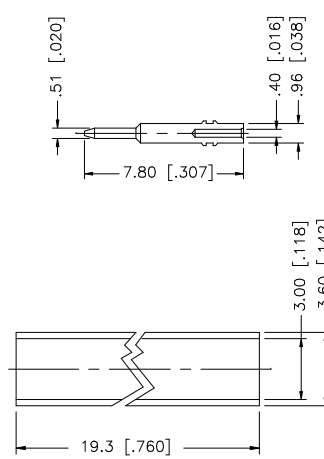
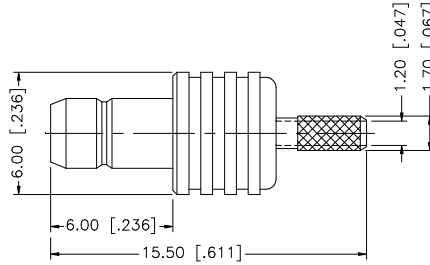
For any questions, you can email us directly:

sales@integrated-circuit.com

REV.	DATE	DESCRIPTION
NC	08/01/05	INITIAL RELEASE
A	06/01/06	MODIFY STRIPPING DIMENSIONS



RECOMMENDED
CABLE STRIPPING DIM'S



NOTE:
1. CRIMPED FERRULE
HEX CRIMP SIZE .128"

DESCRIPTION	MATERIAL	FINISH	QTY	DO NOT SCALE DRAWING	APPROVALS	DATE	PART DESCRIPTION							
8					DRAWN	G.R.S.	06/01/06	<p>Amphenol Connex</p> <p>SMB CRIMP JACK (FOR RG-178B/U, 196A/U CABLE)</p> <p>PART NO. 142241</p>						
7					CHECKED									
6					ISSUED									
5	HEAT SHRINK TUBE		1		SHEET	1 OF 1								
4	FERRULE	COPPER	GOLD	1	CAD FILE	C:/142/142241.DWG	DWG. NO.					142241.DWG	REV.	A
3	CONTACT PIN	BRASS	GOLD	1	<p>UNLESS OTHERWISE SPECIFIED DIMENSIONS ARE IN MILLIMETERS. DIMENSIONS IN [] ARE IN INCHES AND FOR CUSTOMER REFERENCE ONLY.</p> <p>UNLESS OTHERWISE SPECIFIED TOLERANCES FOR MILLIMETERS ARE: 0.5 - 8mm ± 0.20mm 8 - 30mm ± 0.40mm 30 - 120mm ± 0.50mm</p> <p>UNLESS OTHERWISE SPECIFIED TOLERANCES FOR INCHES ARE: .020 - .315 = ± 0.007" .315 - 1.180 = ± 0.015" 1.180 - 4.724 = ± 0.020"</p>									
2	INSULATOR	TEFLON	NATURAL	1										
1	BODY	BRASS	GOLD	1										