

Excellent Integrated System Limited

Stocking Distributor

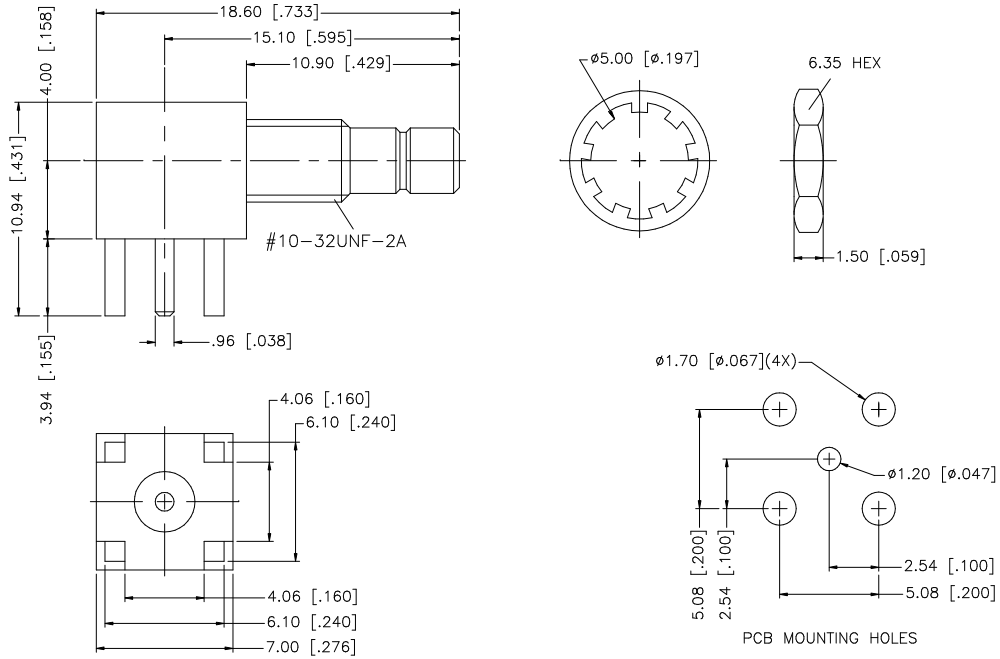
Click to view price, real time Inventory, Delivery & Lifecycle Information:

[Amphenol RF](#)
[142184-75](#)

For any questions, you can email us directly:

sales@integrated-circuit.com

REV.	DATE	DESCRIPTION
NC	07/20/05	INITIAL RELEASE



DESCRIPTION	MATERIAL	FINISH	QTY	UNLESS OTHERWISE SPECIFIED DIMENSIONS ARE IN MILLIMETERS. DIMENSIONS IN [] ARE IN INCHES AND FOR CUSTOMER REFERENCE ONLY.	APPROVALS	DATE	<h1 style="color: blue; margin: 0;">Amphenol Connex</h1>
8					DRAWN	07/20/05	
7					CHECKED		
6					ISSUED		142184-75
5	HEX NUT	BRASS	NICKEL	1	SHEET	1 OF 1	
4	LOCK WASHER	BRASS	NICKEL	1	CAD FILE	C:/142/142184-75.DWG	DWG. NO. 142184-75.DWG REV. NC SIZE A SCALE NA
3	CONTACT PIN	BRASS	GOLD	1	DO NOT SCALE DRAWING		
2	INSULATOR	TEFLON	NATURAL	1			
1	BODY	BRASS	GOLD	1			

UNLESS OTHERWISE SPECIFIED DIMENSIONS ARE IN MILLIMETERS. DIMENSIONS IN [] ARE IN INCHES AND FOR CUSTOMER REFERENCE ONLY.

UNLESS OTHERWISE SPECIFIED TOLERANCES FOR MILLIMETERS ARE:
 0.5 - 8mm ± 0.20mm
 8 - 30mm ± 0.40mm
 30 - 120mm ± 0.50mm

UNLESS OTHERWISE SPECIFIED TOLERANCES FOR INCHES ARE:
 .020 - .315 = ± 0.007"
 .315 - 1.180 = ± 0.015"
 1.180 - 4.724 = ± 0.020"