

Excellent Integrated System Limited

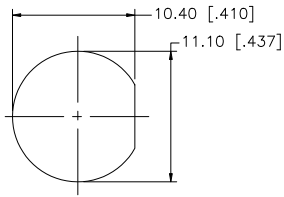
Stocking Distributor

Click to view price, real time Inventory, Delivery & Lifecycle Information:

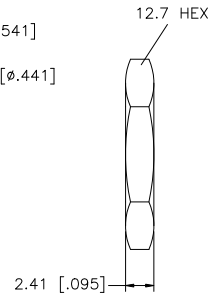
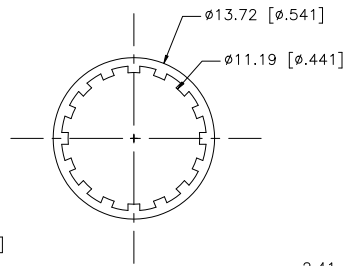
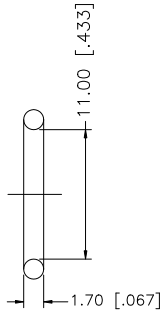
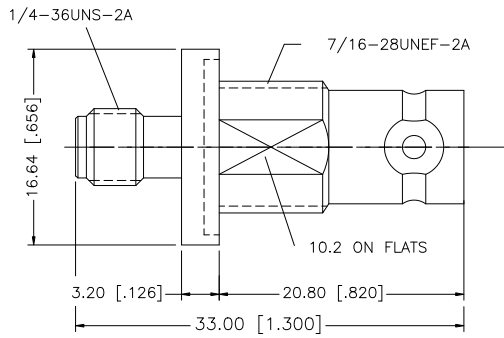
[Amphenol RF](#)
[242181](#)

For any questions, you can email us directly:
sales@integrated-circuit.com

REV.	DATE	ECR NO.	DESCRIPTION
NC	02/24/02	-	INITIAL RELEASE
A	03/26/09	100089	UPDATE DRAWING FORMAT, ADD TOLERANCES TO MOUNTING HOLE DIMS.



RECOMMENDED MOUNTING HOLE



NOTE:

- MAX. PANEL THICKNESS = 6.6mm

DESCRIPTION	MATERIAL	FINISH	QTY	DO NOT SCALE DRAWING	APPROVALS	DATE	Amphenol Connex								
8					DRAWN	GRS	03/26/09	PART DESCRIPTION SMA JACK TO BNC BULKHEAD JACK ADAPTER							
7					CHECKED										
6	HEX NUT	BRASS	NICKEL	1	ISSUED			PART NO. 242181							
5	LOCK WASHER	PHOS. BRONZE	NICKEL	1	SHEET	1 OF 1									
4	GASKET	SILICONE	RED	1	CAD FILE		C:/242/242181.DWG	DWG. NO.	242181.DWG	REV.	NC	SIZE	A	SCALE	NA
3	CONTACT PIN	BER. COPPER	GOLD	1											
2	INSULATOR	PTFE	NATURAL	1											
1	BODY	BRASS	NICKEL	1											

UNLESS OTHERWISE SPECIFIED DIMENSIONS ARE IN MILLIMETERS. DIMENSIONS IN [] ARE IN INCHES AND FOR CUSTOMER REFERENCE ONLY.

UNLESS OTHERWISE SPECIFIED TOLERANCES FOR MILLIMETERS ARE:
 0.5 - 8mm ± 0.20mm
 8 - 30mm ± 0.40mm
 30 - 120mm ± 0.50mm

UNLESS OTHERWISE SPECIFIED TOLERANCES FOR INCHES ARE:
 .020 - .315 = ± 0.007"
 .315 - 1.180 = ± 0.015"
 1.180 - 4.724 = ± 0.020"