

Excellent Integrated System Limited

Stocking Distributor

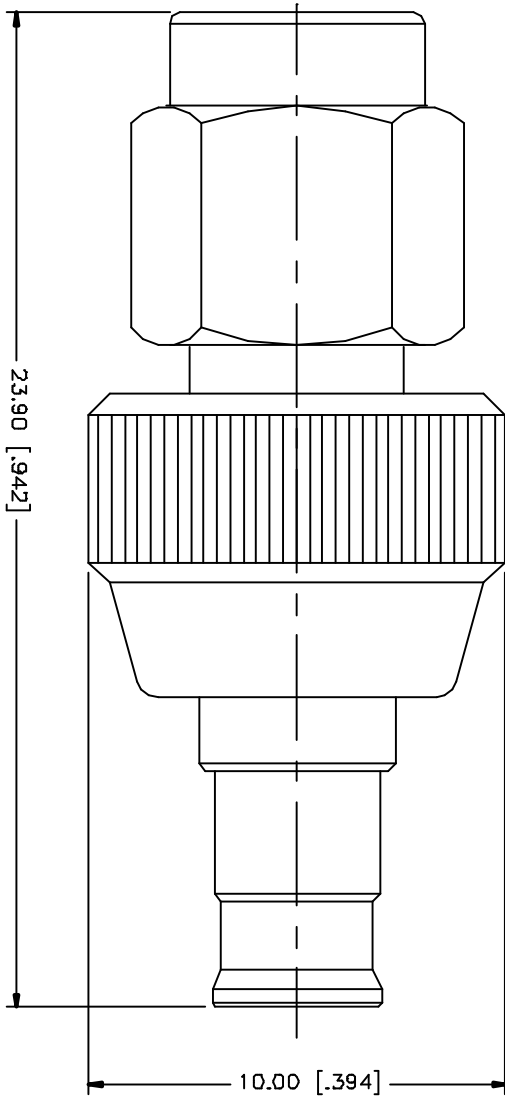
Click to view price, real time Inventory, Delivery & Lifecycle Information:

[Amphenol RF](#)
[242128](#)

For any questions, you can email us directly:

sales@integrated-circuit.com

REV.	DATE	DESCRIPTION
A	03/27/05	UPDATE DRAWING FORMAT



8						UNLESS OTHERWISE SPECIFIED DIMENSIONS ARE IN MILLIMETERS (DIMENSIONS IN INCHES AND PER SQUARE IN SHOWN ONLY). TOLERANCES SPECIFIED: UNLESS OTHERWISE SPECIFIED .015 - Bore ± 0.20mm .8 - 3.0mm ± 0.40mm 3.0 - 12.0mm ± 0.40mm UNLESS OTHERWISE SPECIFIED DIMENSIONS FOR HOLE AND TOLERANCES: .020 - .315 = ± 0.007" .315 - 1.180 = ± 0.015" 1.180 - 4.724 = ± 0.020"				
7										
6										
5										
4										
3	CONTACT PIN	BER. COPPER	BOLD	1						
2	INSULATOR	TEFLON	NATURAL	1						
1	BODY	BRASS	GOLD	1						
	DESCRIPTION	MATERIAL	FINISH	QTY	DO NOT SCALE DRAWING					
		APPROVALS	DATE							
		ISSUAN	G.R.S.	03/27/05						
		CHECKED								
		ISSUED								
		SHEET	1 OF 1							
		CAD FILE	C:/242/242128.DWG							
		DWG. NO.	242128.DWG							
		REV.	A							
		SIZE	A							
		SCALE	NA							
		PART NO.	242128							
		PART DESCRIPTION	SMA MALE TO MCX MALE ADAPTER							
		Amphenol Connex								