

Excellent Integrated System Limited

Stocking Distributor

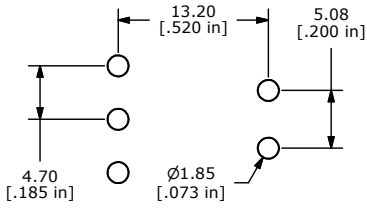
Click to view price, real time Inventory, Delivery & Lifecycle Information:

[E-Switch](#)
[700CSP7B60M6RE](#)

For any questions, you can email us directly:

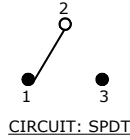
sales@integrated-circuit.com

SHEET 1 OF 1

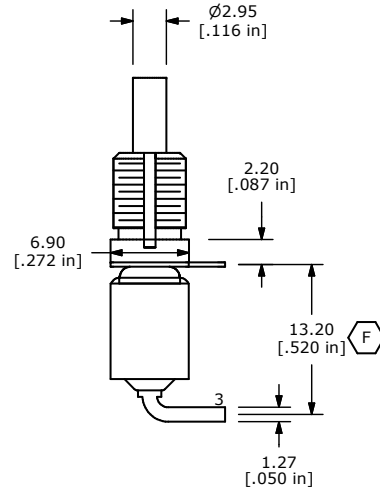
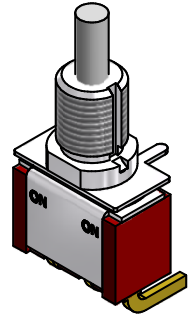
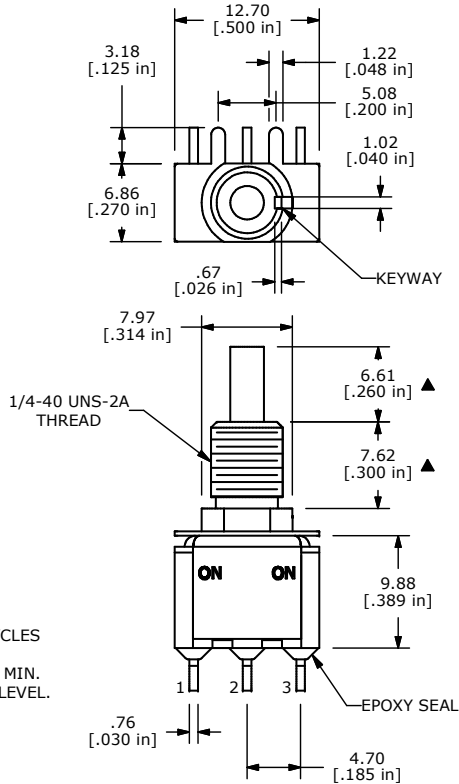


P.C. MOUNTING

SWITCH FUNCTION	
POS. 1	POS. 2
ON	ON
1-2	2-3



- NOTE:
1. ALL DIMENSIONS IN MM [INCH]
 2. GENERAL TOLERANCE: X.X=±0.4
X.XX=±0.25
 3. TERMINAL NUMBERS FOR REF ONLY
 - ▲ 4. PLATING MATERIAL: GOLD
 5. RATING: 0.4VA MAX. @20V MAX. AC OR DC
 6. ELECTRIC LIFE: 50,000 MAKE-AND-BREAK CYCLES AT FULL LOAD.
 7. INSULATION RESISTANCE: 1,000 MEGA-OHM MIN.
 8. DIELECTRIC STRENGTH: 1,000 V RMS @SEA LEVEL.
 9. OPERATING TEMP.: -30°C to 85°C
 10. ▲ DENOTES CRITICAL PARAMETER.
 11. 2002/95/EC (ROHS) COMPLIANT



F	21546	CORRECT TERMINAL SPACING	8/11/14	EBP
E	16108	UPDATE DWG W/CORRECT BUSHING	6/6/06	CT
D	15840	EDIT SUPPORT DIMENSIONS	3/6/06	PH
C	15792	EDIT ACTUATOR DIA., ADD ROHS NOTE	2/20/06	PH
B	14898	CHANGED ACTUATOR LENGTH	5/5/05	JB
A	14801	RELEASED FOR PRODUCTION	4/14/05	JEB
REV	PCR NO	DESCRIPTION	DATE	BY

THE INFORMATION CONTAINED IN THIS DOCUMENT IS PROPRIETARY TO E-SWITCH AND IS NOT TO BE COPIED OR TRANSFERRED



TITLE 700CSP7B60M6RE

SCALE 2:1	DATE 4/14/2005	DR JEB	DWG T711058	REV F
-----------	----------------	--------	-------------	-------