

Excellent Integrated System Limited

Stocking Distributor

Click to view price, real time Inventory, Delivery & Lifecycle Information:

[Amphenol RF](#)
[A-1PA-113-150B2](#)

For any questions, you can email us directly:

sales@integrated-circuit.com

NOTES:

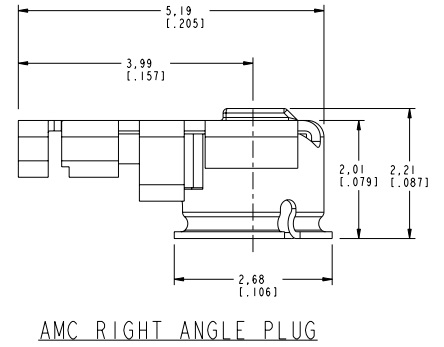
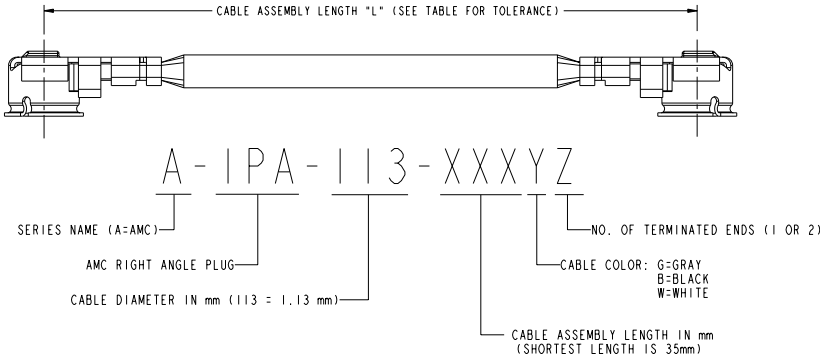
1. ELECTRICAL:
 A. IMPEDANCE: 50Ω (NOMINAL)
 B. FREQUENCY RANGE: 0-6 GHz
 C. CONTACT RESISTANCE: CENTER: 20mΩ MAX.; MEASURED AT 10mA MAX. 25 mΩ MAX AFTER CYCLING
 OUTSIDE: 10mΩ MAX. 15 mΩ MAX AFTER CYCLING
 D. INSULATION RESISTANCE: 500mΩ MIN.; MEASURED AT 100 VDC.
 E. WITHSTANDIN VOLTAGE: NO LINE OR INSULATION BREAKDOWN: 200 VAC FOR 1 MIN.
 F. V.S.W.R. : 1.3 MAX. AT DC TO 3GHz, 1.4 MAX. AT 3 TO 6GHz

2. PHYSICAL:
 A. FEMALE CONTACT HOLDING FORCE: .15N MIN. : MEASURED WITH A Ø.475MM PIN GAUGE.
 B. DURABILITY: 30 CYCLES
 C. TEMPERATURE RANGE: -40°C TO +90°C
 D. AMC CONNECTOR MATING FORCE: .15N TYPICAL
 E. AMC CONNECTOR DEMATING FORCE: .10N TYPICAL
 F. AMC INTERFACE IS FULLY COMPATIBLE WITH "U.FL" SERIES PRODUCT.

3. MATERIALS AND FINISHES:
 CONNECTOR BODY: PHOSPHOR BRONZE, SILVER PLATED (.08μ MIN.) OVER COPPER (1-2μ)
 CONNECTOR CENTER CONTACT: PHOSPHOR BRONZE, GOLD PLATED (0.2μ MIN.) OVER NICKEL (2-3μ)
 CONNECTOR INSULATOR: PBT
 CABLE JACKET: FEP
 CABLE DIELECTRIC: FEP
 CABLE CENTER CONDUCTOR: 32AWG ANNEALED COPPER WIRE STRANDED, SILVER PLATED
 CABLE OUTER CONDUCTOR: ANNEALED COPPER WIRE BRAID, SILVER PLATED

A-1PA-113-XXXXZ		REVISIONS			
DRAWING NO.	REV	DESCRIPTION	DATE	ECO	APPR
THIRD ANGLE PROJ.	A	RELEASE TO MFG.	2/20/03	44376	ORB
	B	A) ADDED CABLE MATERIAL & MATE/DEMATE NOTES	3/6/03	44396	ORB
	C	A) BODY PLATING WAS: GOLD PLATED OVER NICKEL B) NOTE 2D WAS: 25N TYPICAL	4/2/03	44402	BCG

CABLE ASSEMBLY OVERALL LENGTH TOLERANCE	
OVERALL LENGTH L (mm)	STANDARD TOLERANCE (mm)
35 < L < 200	± 4
200 < L < 500	± 8
500 < L < 1000	± 12
1000 < L	± 1.5 %



UNLESS OTHERWISE SPECIFIED, DIMENSIONS ARE IN INCHES AND TOLERANCES ARE:
 2 PLACE DECIMAL: ±.015 (0.381 mm)
 3 PLACE DECIMAL: ±.005 (0.127 mm)
 ANGLES: ± 1°

NOTICE - These drawings, specifications, or other data (1) are, and remain the property of Amphenol Corp. (2) must be returned upon request; and (3) are confidential and not to be disclosed to any person other than those to whom they are given by Amphenol Corp. The furnishing of these drawings, specifications, or other data by Amphenol Corp., or to any other person to anyone for any purpose is not to be regarded by implication or otherwise in any manner licensing, granting rights or permitting such holder or any other person to manufacture, use or sell any product, process or design, patented or otherwise, that may in any way be related to or disclosed by said drawings, specifications, or other data.

MATERIAL	DRAWN	DATE	TITLE	Amphenol Amphenol Corporation Communication and Network Products Division Danbury, CT U.S.A. 06810 SCALE: 8.0:1 SHEET 1 OF 1
	G. ANTONINI	29-Jan-03		
REFERENCE	ENGINEER	DATE	RIGHT ANGLE PLUG JUMPER	REV
	GEN# CASSY68	G. ANTONINI		
	APPROVED	DATE	CODE ID	DWG SIZE
	O. BARTHELMES	2/20/03	74868	B
	CAD FILE	DRAWING NO.		
	1: \AMC\A-1PA-113-XXXXZ	A-1PA-113-XXXXZ		