

## Excellent Integrated System Limited

Stocking Distributor

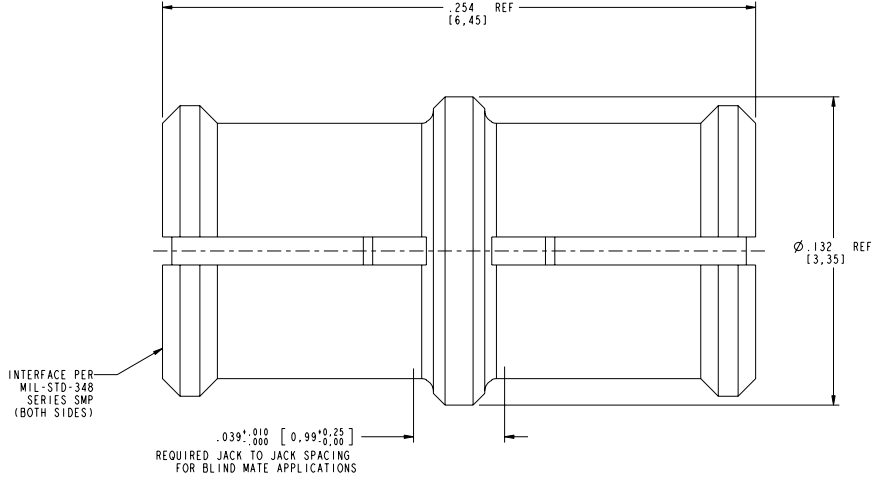
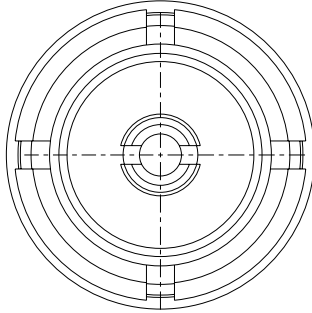
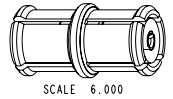
Click to view price, real time Inventory, Delivery & Lifecycle Information:

[Amphenol RE](#)  
[SMP-FSBA-645](#)

For any questions, you can email us directly:  
[sales@integrated-circuit.com](mailto:sales@integrated-circuit.com)

SMP-FSBA-645		REVISIONS			
DRAWING NO.	REV	DESCRIPTION	DATE	ECO	APPR
THIRD ANGLE PROJ.	⊕	A	RELEASE TO MFG	2/25/05	45416

- NOTES:
- MATERIALS AND FINISHES:  
 BODY - BeCu, GOLD PLATING, .000030 [0.8] THICK OVER NICKEL  
 CONTACT - BeCu, GOLD PLATING, .000030 [0.8] THICK OVER NICKEL  
 INSULATOR - PTFE
  - ELECTRICAL:  
 A. IMPEDANCE: 50 OHM  
 B. FREQUENCY RANGE: DC - 26.5 GHz  
 C. VSWR(RETURN LOSS): 1.2 (20.8 dB), MAX. DC-10GHz  
 1.4 (15.6 dB), MAX. 10-18GHz  
 1.5 (14 dB), MAX. 18-26.5GHz  
 D. DIELECTRIC WITHSTANDING VOLTAGE: 500 VRMS, MIN.
  - PHYSICAL:  
 A. DURABILITY: 100 CYCLES MIN.  
 B. ENGAGEMENT FORCE: 15 LB [67 N] MAX  
 C. DISENGAGEMENT FORCE: 2 LB [9 N] MIN  
 E. TEMPERATURE RANGE: -65° C TO 165° C
  - PACKAGING:  
 A. QUANTITY: SINGLE PACK  
 B. MARKING: AMPHENOL, SMP-FSBA-645, DATE CODE



CUSTOMER OUTLINE DRAWING  
 ALL OTHER SHEETS ARE FOR INTERNAL USE ONLY

UNLESS OTHERWISE SPECIFIED, DIMENSIONS ARE IN INCHES AND TOLERANCES ARE: 2 PLACE DECIMAL    3 PLACE DECIMAL    ANGLES ±.015 (0.381 mm)    ±.005 (0.127 mm)    ± 1°	MATERIAL	DRAWN MIKE HOYACK DATE 10-Dec-02	TITLE ASSEMBLY FEMALE TO FEMALE	<b>Amphenol RF</b> Danbury, CT, USA Tainan, Taiwan Shenzhen, China www.amphenolrf.com		
	NOTICE - These drawings, specifications, or other data (1) are, and remain the property of Amphenol Corp. (2) must be returned upon request; and (3) are confidential and not to be disclosed to any person other than those to whom they are given by Amphenol Corp. The furnishing of these drawings, specifications, or other data by Amphenol Corp., or to any other person to anyone for any purpose is not to be regarded by implication or otherwise in any manner licensing, granting rights or permitting such holder or any other person to manufacture, use or sell any product, process or design, patented or otherwise, that may in any way be related to or disclosed by said drawings, specifications, or other data.	REFERENCE GEN# ASSYF4_SMP EAR# 796, PREVIOUSLY 322 & 1693 615X-1718-100			ENGINEER MIKE HOYACK DATE 10-Dec-02	APPROVED OWEN BARTHELME DATE 2/23/05
		CAD FILE I:\SMP\SMP-FSBA-645	CODE ID 74868	DWG SIZE B	DRAWING NO. SMP-FSBA-645	REV A