

Excellent Integrated System Limited

Stocking Distributor

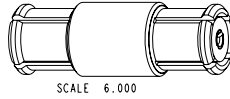
Click to view price, real time Inventory, Delivery & Lifecycle Information:

[Amphenol RE](#)
[SMP-FSBA-990](#)

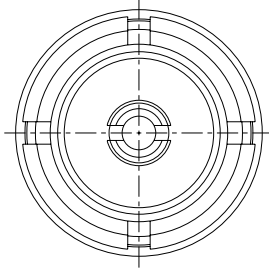
For any questions, you can email us directly:

sales@integrated-circuit.com

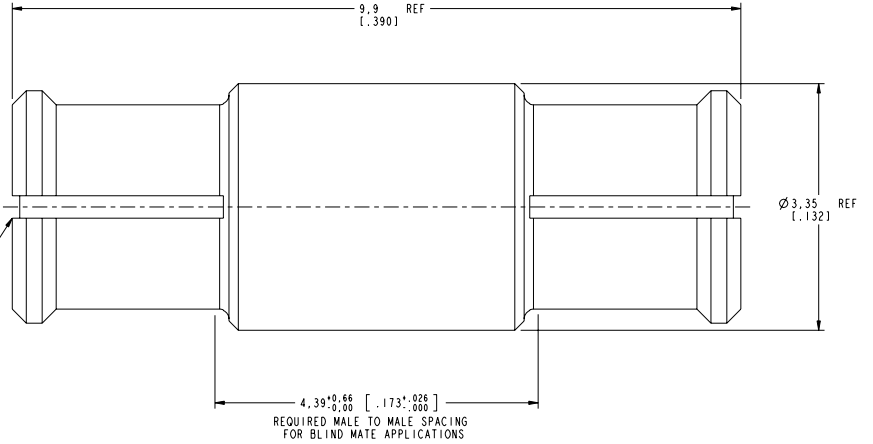
- INOTES:
- MATERIALS AND FINISHES:
 BODY - BeCu, GOLD PLATING, .000030 [0.8] THICK OVER NICKEL
 CONTACT - BeCu, GOLD PLATING, .000030 [0.8] THICK OVER NICKEL
 INSULATOR - PTFE
 - ELECTRICAL:
 A. IMPEDANCE: 50 OHM
 B. FREQUENCY RANGE: DC - 26.5 GHz
 C. VSWR/RETURN LOSS: 1.2 (20.8 dB), MAX. DC-10GHz
 1.4 (15.6 dB), MAX. 10-18GHz
 1.5 (14 dB), MAX. 18-26.5GHz
 D. DIELECTRIC WITHSTANDING VOLTAGE: 500 VRMS, MIN.
 - PHYSICAL:
 A. DURABILITY: 100 CYCLES MIN.
 B. ENGAGEMENT FORCE: 15 LB [67 N] MAX
 C. DISENGAGEMENT FORCE: 2 LB [9 N] MIN
 E. TEMPERATURE RANGE: -65° C TO 165° C
 - SINGLE PACKAGING:
 A. QUANTITY: SINGLE PACK
 B. MARKING: AMPHENOL, SMP-FSBA-990, YYWW
 - BULKPACK AS FOLLOWS:
 A. QUANTITY: 100 PER BAG
 B. MARK BAG OR TAG "SMP-FSBA-990B, QTY 100 & YYWW"



| THIRD ANGLE PROJ. | | REVISIONS | | | |
|-------------------|--|-----------|-------|------|--|
| REV | DESCRIPTION | DATE | ECO | APPR | |
| A | RELEASE TO MFG | 2/13/03 | 44371 | CPM | |
| B | SEE SHEET 1 | 5/9/03 | 44466 | CPM | |
| C | CONTACT WAS CHANGED\RD-DM05072502R | 07-25-05 | | SH | |
| D | SYNCH THE DRAWING WITH DANBURY\RD-DM11072801R3 | 23-Aug-11 | 48711 | SH | |



INTERFACE PER
 MIL-STD-348
 SERIES SMP
 (BOTH SIDES)



| PART NUMBER | PACKAGING | REF NOTE |
|---------------|-------------|----------|
| SMP-FSBA-990 | 1 PER BAG | NOTE 4 |
| SMP-FSBA-990B | 100 PER BAG | NOTE 5 |

CUSTOMER OUTLINE DRAWING
 ALL OTHER SHEETS ARE FOR INTERNAL USE ONLY

| | | | | | |
|---|---|---------------------|-------------------|---|---|
| UNLESS OTHERWISE SPECIFIED, DIMENSIONS ARE IN METRIC AND TOLERANCES ARE: <0.5mm ±0.05mm 0.5 - 6mm ±0.1mm 6 - 30mm ±0.2mm 30 - 120mm ±0.3mm ANGLES ±1° NOTICE - These drawings, specifications, or other data (1) are, and remain the property of Amphenol Corp. (2) must be returned upon request; and (3) are confidential and not to be disclosed to any person other than those to whom they are given by Amphenol Corp. The furnishing of these drawings, specifications, or other data by Amphenol Corp., or to any other person for any purpose is not to be regarded by implication or otherwise in any manner licensing, granting rights to permitting such holder or any other person to manufacture, use or sell any product, process or design, patented or otherwise, that may in any way be related to or disclosed by said drawings, specifications, or other data. | MATERIAL | DRAWN R.MAO | DATE 16-Aug-11 | TITLE SMP BULLET ADAPTER FEMALE TO FEMALE | Amphenol RF www.amphenolrf.com |
| | REFERENCE GEN# ASSYF4.SMP E40# 866 615X-1783 | APPROVED S.HSIEH | DATE 16-Aug-11 | SCALE: 20.0:1.0 SHEET 2 OF 2 | DWG SIZE B |
| FINISH | | | | | DRAWING NO. SMP-FSBA-990-X ITEM NO. SMP-FSBA-990X PART NO. SMP-FSBA-990-X |