

## Excellent Integrated System Limited

Stocking Distributor

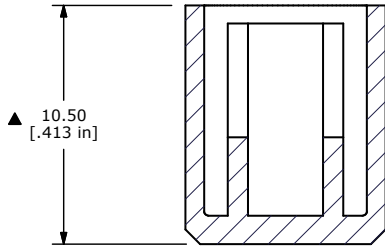
Click to view price, real time Inventory, Delivery & Lifecycle Information:

[E-Switch](#)  
[TAGGRY](#)

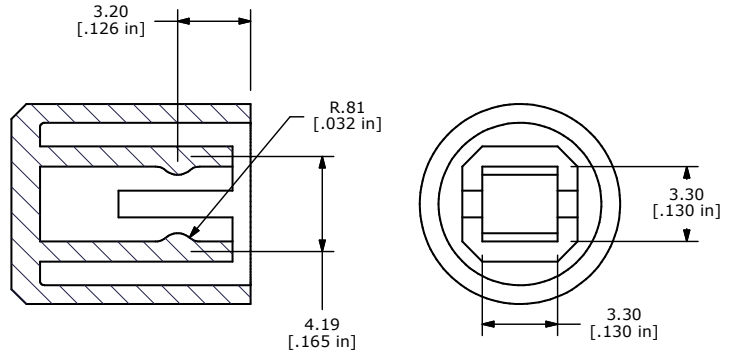
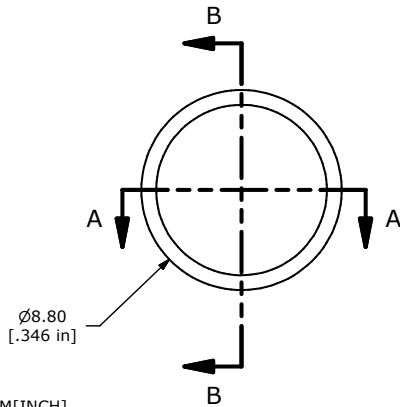
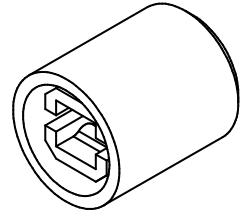
For any questions, you can email us directly:

[sales@integrated-circuit.com](mailto:sales@integrated-circuit.com)

SHEET 1 OF 1



SECTION A-A  
SCALE 4 : 1



SECTION B-B  
SCALE 4 : 1

NOTES:

1. ALL DIMENSIONS IN MM[INCH]
2. GENERAL TOLERANCE: X.XX=± 0.15
- ▲3. MATERIAL: ABS UL94HB
- ▲4. COLOR: GRAY, PANTONE 423C
5. ▲ DENOTES CRITICAL PARAMETER
6. 2002/95/EC (ROHS) COMPLIANT



| REV | PCR NO | DESCRIPTION                  | DATE    | BY |
|-----|--------|------------------------------|---------|----|
| B   | 17594  | CHANGED DETENT RIB PLACEMENT | 8/27/07 | BF |
| A   | 15225  | NEW RELEASE                  | 8/30/05 | PH |

TITLE TAGGRY

THE INFORMATION CONTAINED IN THIS DOCUMENT IS PROPRIETARY TO E-SWITCH AND IS NOT TO BE COPIED OR TRANSFERRED

|           |                |       |             |       |
|-----------|----------------|-------|-------------|-------|
| SCALE 4:1 | DATE 8/27/2007 | DR BF | DWG T041603 | REV B |
|-----------|----------------|-------|-------------|-------|