

Excellent Integrated System Limited

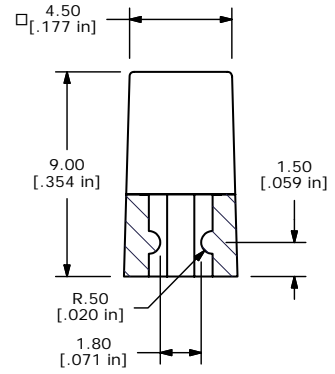
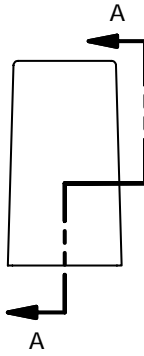
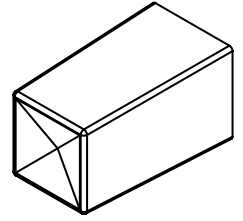
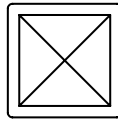
Stocking Distributor

Click to view price, real time Inventory, Delivery & Lifecycle Information:

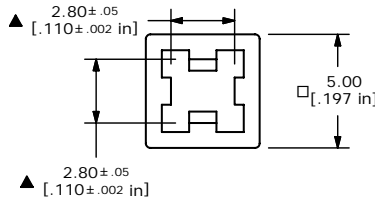
[E-Switch](#)
[1DRED](#)

For any questions, you can email us directly:

sales@integrated-circuit.com



SECTION A-A
SCALE 4 : 1



- NOTES:
 1. ALL DIMENSIONS IN MM [INCH]
 2. GENERAL TOLERANCE: X.XX=±0.15
 3. MATERIAL: ABS, UL94V0
 ▲4. COLOR: RED, PANTONE 201C
 5. ▲ DENOTES CRITICAL PARAMETER.

C	15383	CHANGED PANTONE 201C FROM 187C	10/12/05	PH
B	15250	REVISED DESCRIPTION	9/8/05	PH
A	15205	RELEASED FOR PRODUCTION	8/26/2005	PH
REV	PCR NO	DESCRIPTION	DATE	BY



TITLE 1DRED

THE INFORMATION CONTAINED IN THIS DOCUMENT IS PROPRIETARY TO E-SWITCH AND IS NOT TO BE COPIED OR TRANSFERRED

SCALE 4:1	DATE 8/26/2005	DR PH	DWG Q800422	REV C
-----------	----------------	-------	-------------	-------